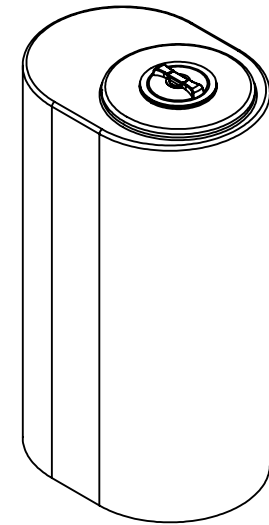


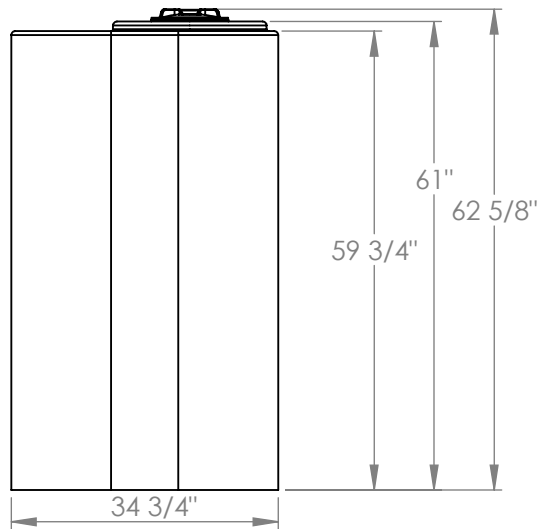
TOP VIEW

**NOTES (APPROX):**  
WALL THICKNESS: 0.2"

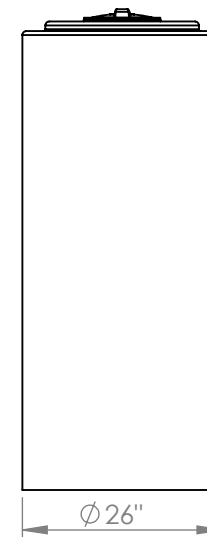
CAPACITY:  
160 IMP. GAL  
190 U.S. GAL  
719 LITRE



ISOMETRIC VIEWS



FRONT VIEW



SIDE VIEW

Copyright © 2008 Quality Molded Plastics LTD.

CLIENT NAME:		MATERIAL: LLDPE	DATE: OCT 23, 2018	DRAWN BY: S.APPLETON	DESCRIPTION: <b>TANK,190 US GAL,OVAL VERT,ASSY</b>	REV <b>1</b>	
APPROXIMATE WEIGHT (lb): 49		DO NOT SCALE DRAWING					
<b>UNLESS OTHERWISE SPECIFIED:</b>		<b>Dedicated Plastic Tanks</b>				SCALE: 1:25	PART NO.
--- TOLERANCES --- LENGTH DIMENSION: ± 1% ANGULAR: ± 1.0°	DIMENSIONS ARE IN INCHES					SHEET 1 OF 1	<b>60059-2</b>