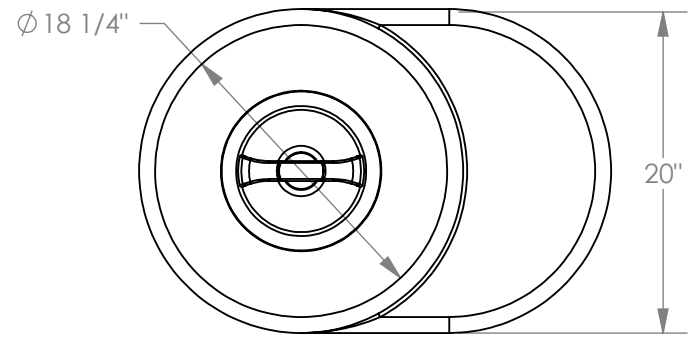


FRONT VIEW

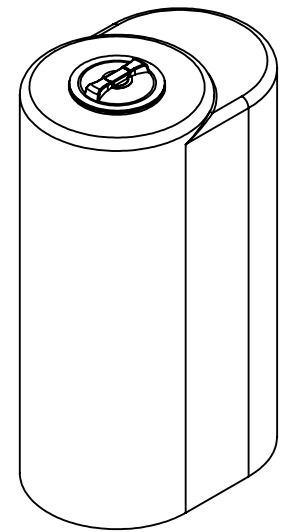


TOP VIEW

NOTES (APPROX):

WALL THICKNESS: 3/16"

CAPACITY:
85 IMP. GAL
102 U.S. GAL
386 LITRE



ISOMETRIC VIEW

Copyright © 2008 Quality Molded Plastics LTD.

CLIENT NAME: .		MATERIAL: LLDPE	DATE: DEC/06/2019	DRAWN BY: S.APPLETON	DESCRIPTION: TANK, 102 US GAL OVAL VERT TANK	REV 1
APPROXIMATE WEIGHT (lb): 32		DO NOT SCALE DRAWING				
UNLESS OTHERWISE SPECIFIED:		Dedicated Plastic Tanks			SCALE: 1:32	PART NO.
--- TOLERANCES --- LENGTH DIMENSION: ± 1% ANGULAR: ± 1.0°	DIMENSIONS ARE IN INCHES				SHEET 1 OF 1	60068-2