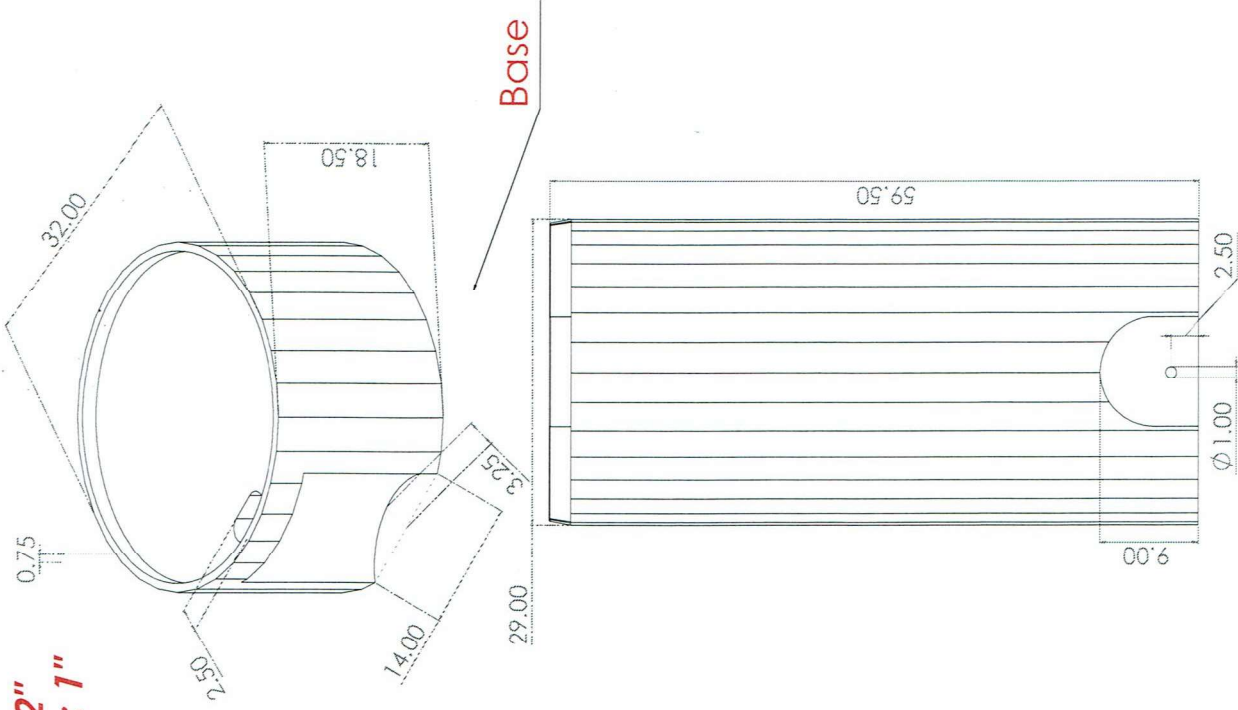
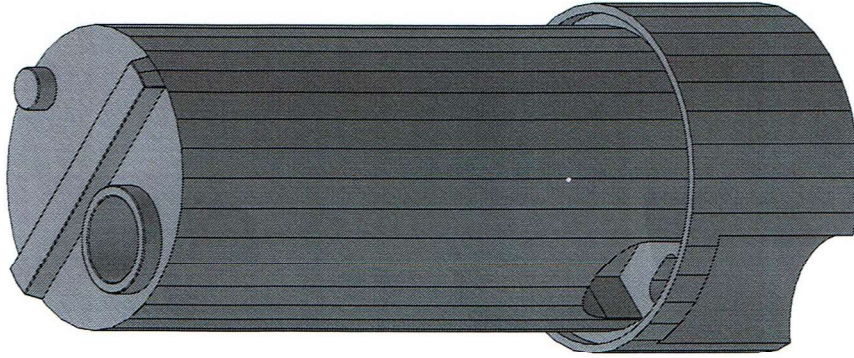
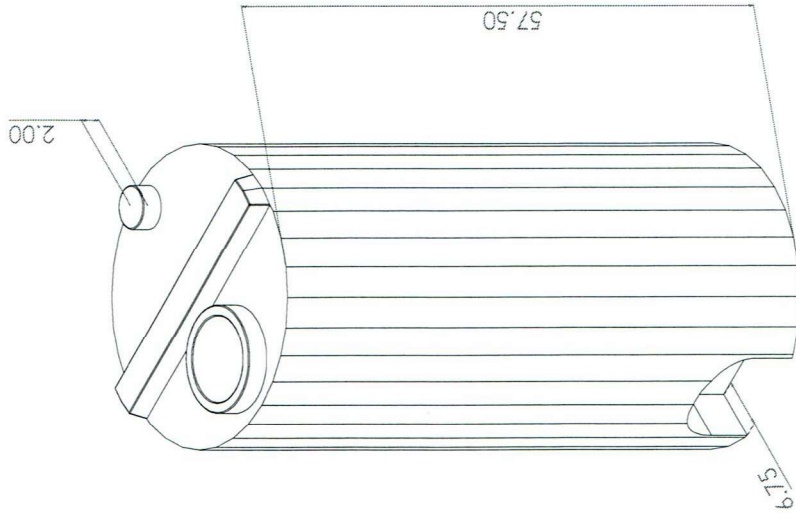
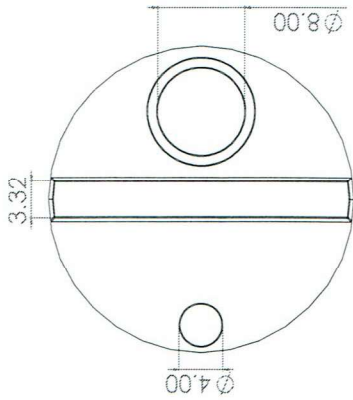


**Total Height: 76.5" Total width: 32"
Inlet diameter: 8" Outlet diameter: 1"**



Type:	145 GALLON UPRIGHT	Scale:	1: 4	Unit:	Inch	Part #:	W0145	Comment:
-------	--------------------	--------	------	-------	------	---------	-------	----------