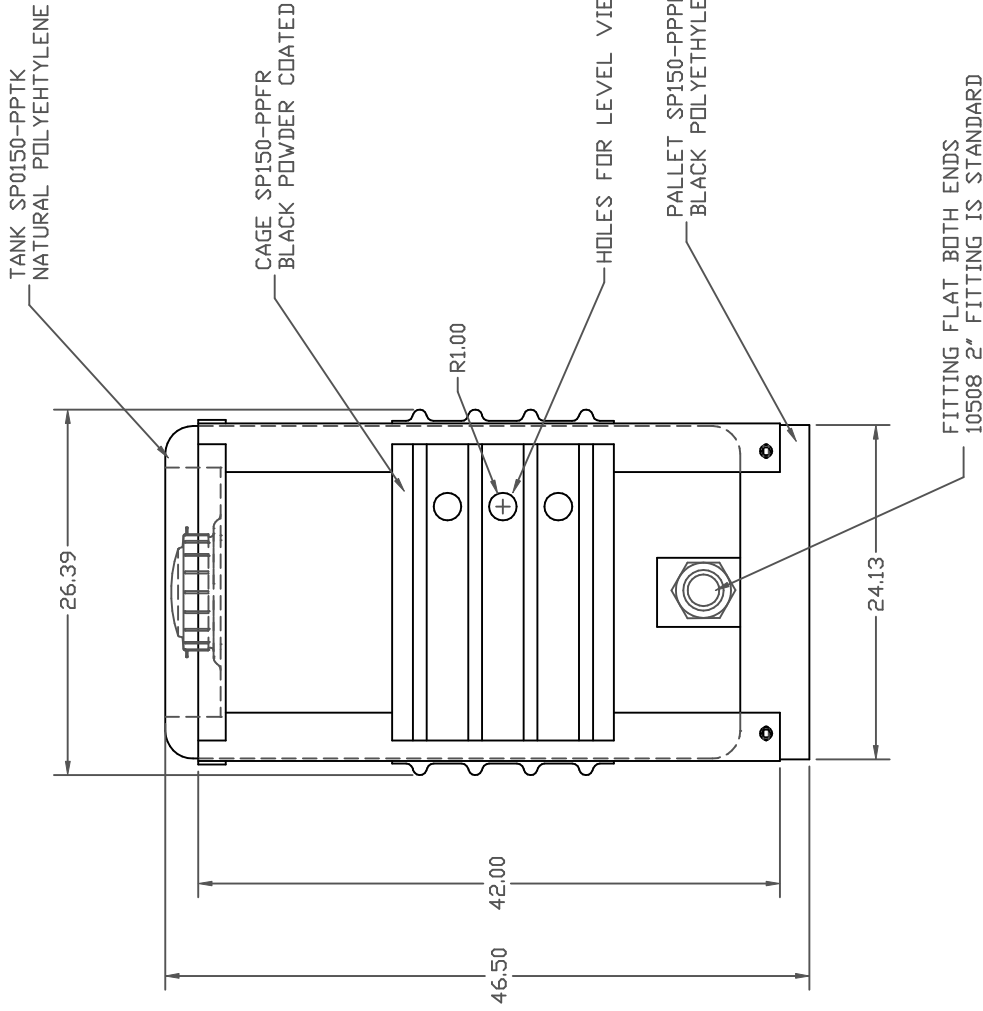
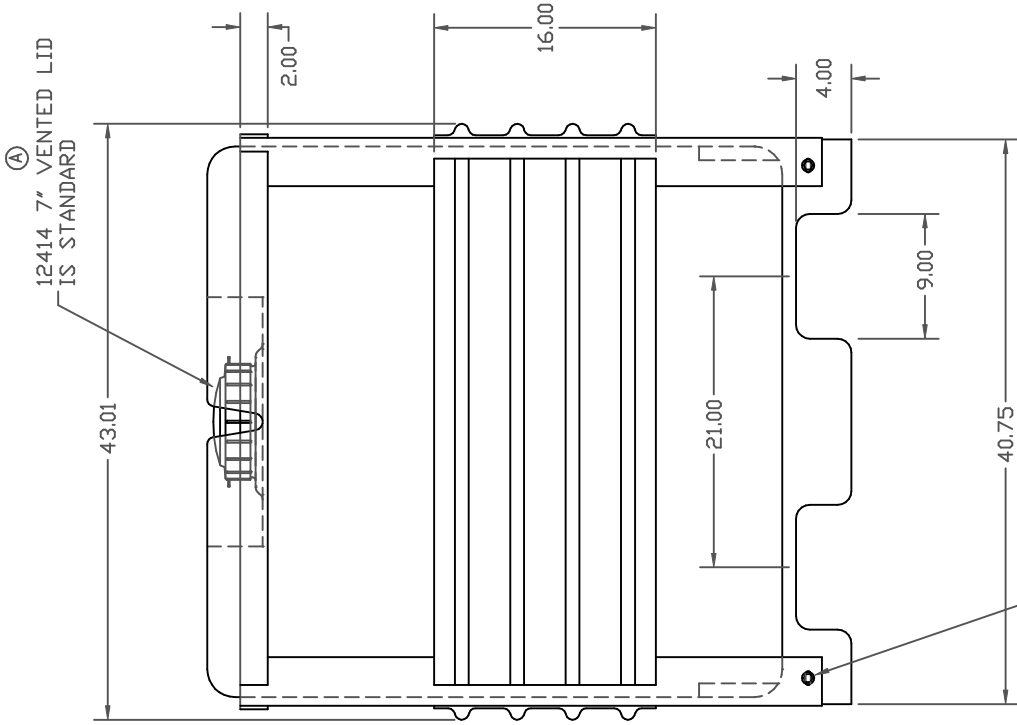


PROPRIETARY DATA

PROPERTY OF ACE ROTO-MOLD MFG. INC. INFORMATION FURNISHED HEREIN IS THE PROPERTY OF ACE ROTO-MOLD MFG. INC. AND SHALL NOT BE USED, DISCLOSED TO OTHERS, OR COPIED WITHOUT THE EXPRESSED WRITTEN CONSENT OF ACE ROTO-MOLD MFG. INC. ALL RIGHTS RESERVED.

SP0150-PP

A



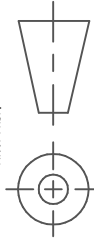
8 x 10132 3/8 -16 x 3/4 HEX BOLTS AND SJ10937 FLAT WASHERS

DRAWN / DATE
DHJ 3/13/06

APPRD. / DATE
GWC 6/29/07

MATERIAL

THIRD ANGLE PROJECTION
ANSI 14.3M



NOTES:

- 1. NOM. WALL OF TANK = .320
- 2. SHIPPING WEIGHT = 201 LBS.



Ace Roto-Mold

A DIVISION OF DEN HARTOG INDUSTRIES, INC.
401B HWY. 60 BLVD., BOX 421, HOSPERS, IOWA 51238

CLIENT / DESCRIPTION

150 GALLON PALLET PAK ASSEMBLY

SCALE

N.S.

PART NO.

SP0150-PP

ALL DIMENSIONS ARE IN DECIMAL INCHES
TOLERANCES UNLESS OTHERWISE SPECIFIED

± .1% @ 68° F