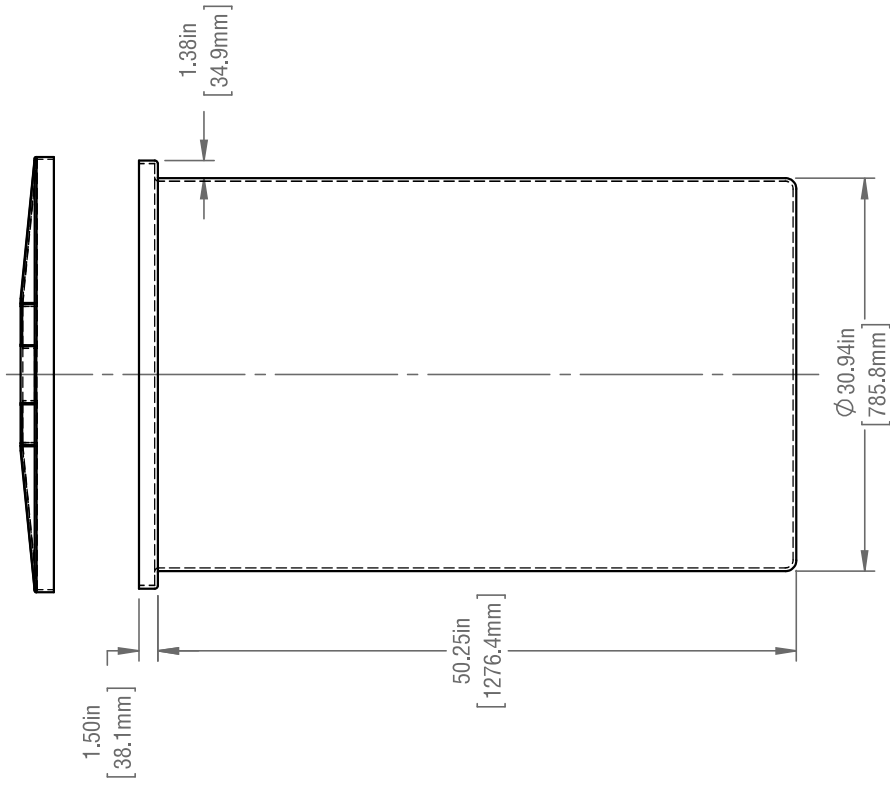
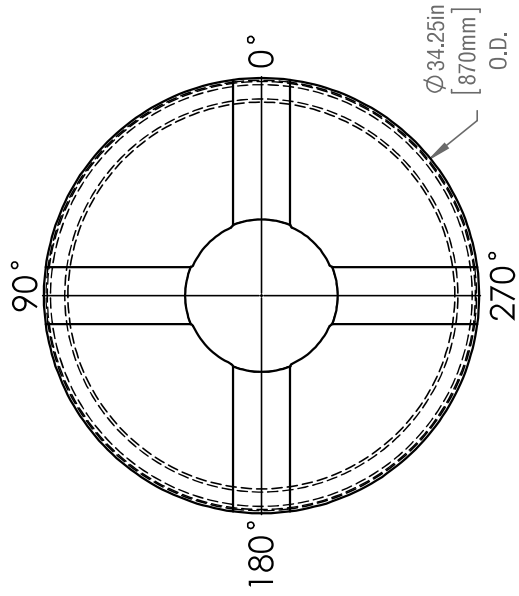


1019-03050T-00-xx\_R01

ITEM	QTY.	DESCRIPTION	PART NUMBER	MATERIAL
1	1	VOT-125 I.G. @ 1.9 S.G.	1019-03050T-00-xx	PE
2	1	30° CYL. SLIP COVER	1029-00030T-00-xx	PE



OPTIONAL SLIP  
FIT COVER

