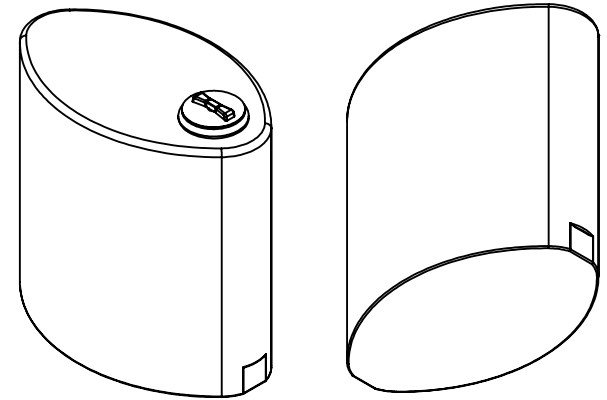


TOP VIEW

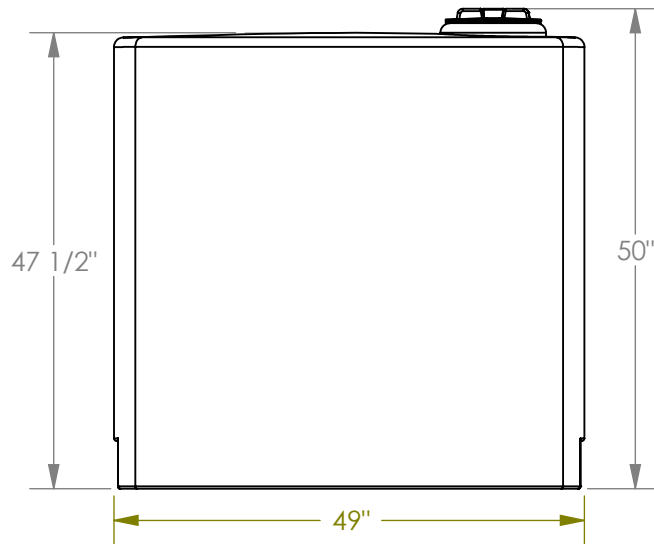


ISOMETRIC VIEWS

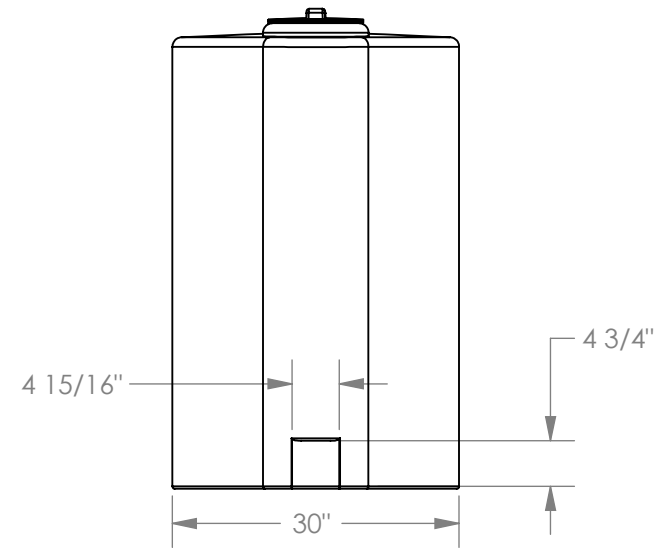
NOTES (APPROX):

WALL THICKNESS: 0.28"

CAPACITY:
180 IMP. GAL
216 US GAL
818 LITRES



FRONT VIEW



SIDE VIEW

Copyright © 2008 Quality Molded Plastics LTD.

CLIENT NAME: .		MATERIAL: LLDPE	DATE: DEC/18/2008	DRAWN BY: JOSE H.	DESCRIPTION: TANK,200 GAL,OVAL,VERT	REV Y	
APPROXIMATE WEIGHT (lb): 75		DO NOT SCALE DRAWING					
UNLESS OTHERWISE SPECIFIED:		Dedicated Plastic Tanks				SCALE: 1:24	PART NO.
--- TOLERANCES --- LENGTH DIMENSION: ± 1% ANGULAR: ± 1.0°	DIMENSIONS ARE IN INCHES					SHEET 1 OF 1	60013-1