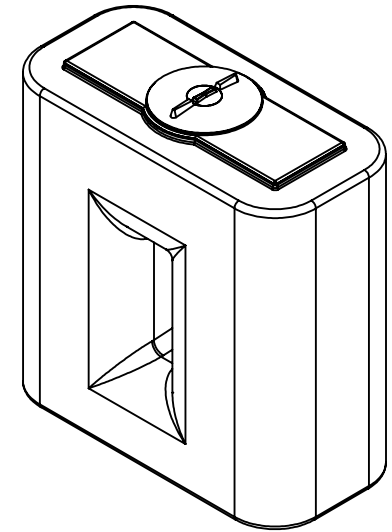
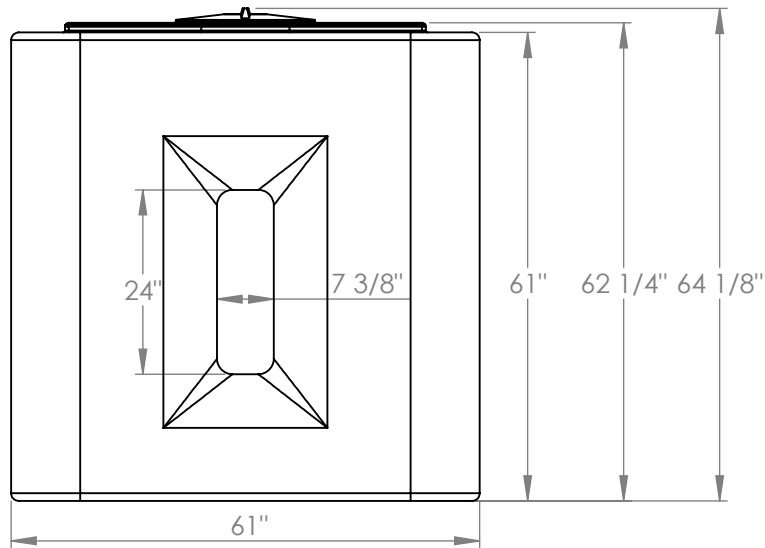


TOP VIEW

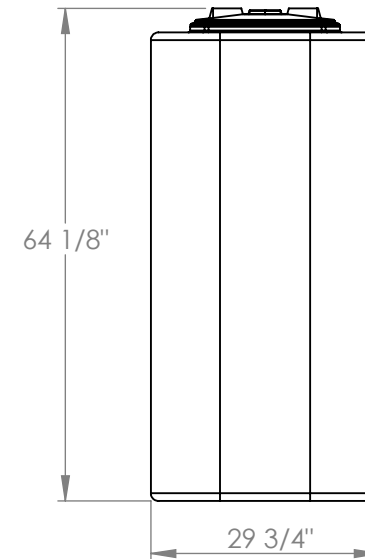


ISOMETRIC VIEWS

NOTES (APPROX):
 WALL THICKNESS: 5/16"
 CAPACITY:
 350 IMP GAL
 420 U.S. GAL
 1590 LITRES



FRONT VIEW



SIDE VIEW

Copyright © 2008 Quality Molded Plastics LTD.

CLIENT NAME:		MATERIAL: LLDPE	DATE: DEC/06/2019	DRAWN BY: S.APPLETON	DESCRIPTION: TANK, 420 US GAL, RECTANGULAR	REV 0	
APPROXIMATE WEIGHT (lb): 150		DO NOT SCALE DRAWING					
UNLESS OTHERWISE SPECIFIED:		Dedicated Plastic Tanks				SCALE: 1:25 PART NO.	
--- TOLERANCES --- LENGTH DIMENSION: ± 1% ANGULAR: ± 1.0°	DIMENSIONS ARE IN INCHES					SHEET 1 OF 1	