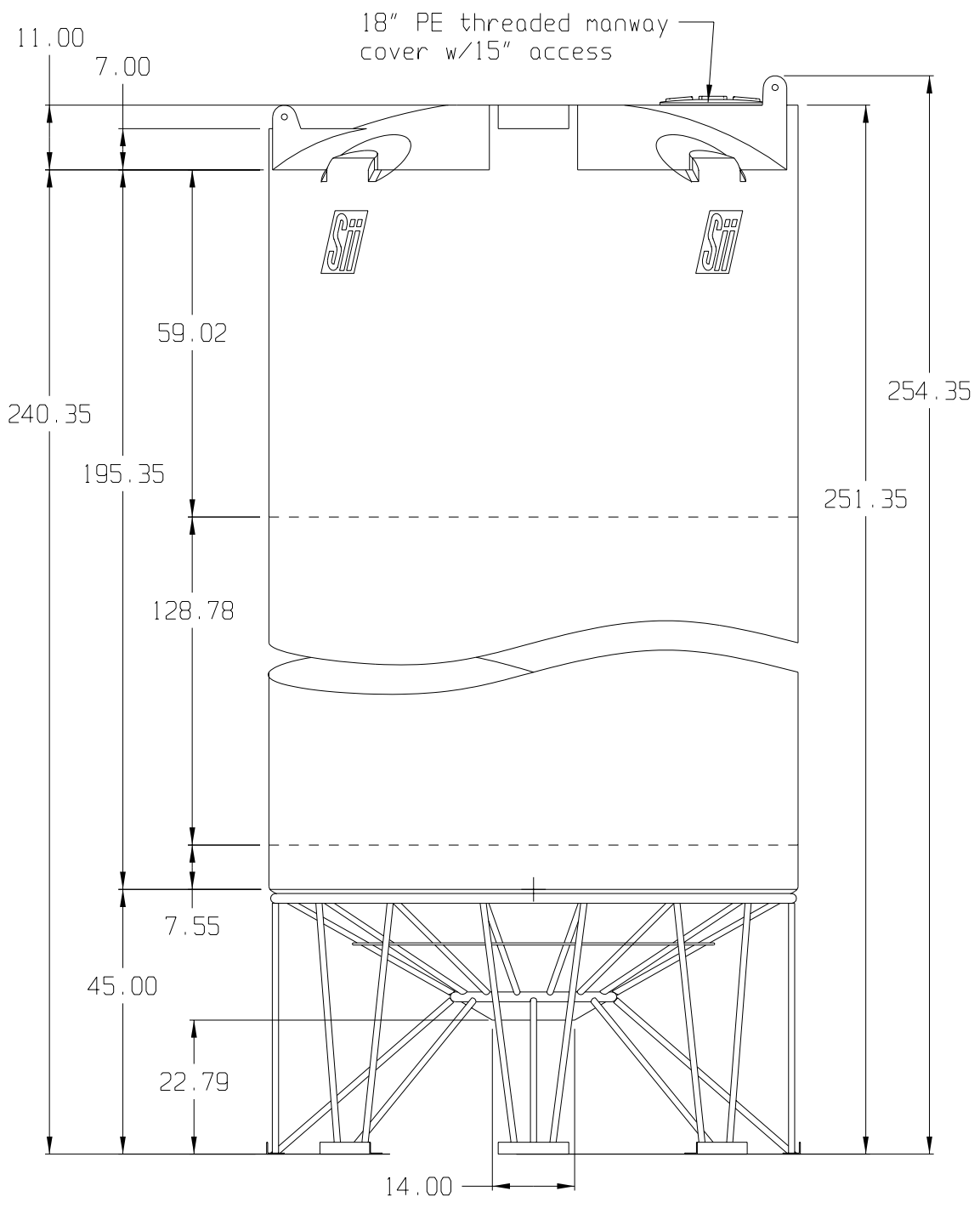


THIS CONE HAS NOT YET
 BEEN CONVERTED AS SHOWN
 08/05/2002 PER D.A.O.



(all dimensions in inches)

PART #S	TANK: 7040--NO SUMP
	STAND: 79100
REF#: 0000	10/21/02

BASE FITTINGS TO BE LEFT INSTALLED AT TIME OF SHIPMENT PER Sii PROCEDURE

5,500 GALLON 30° CONE BOTTOM TANK