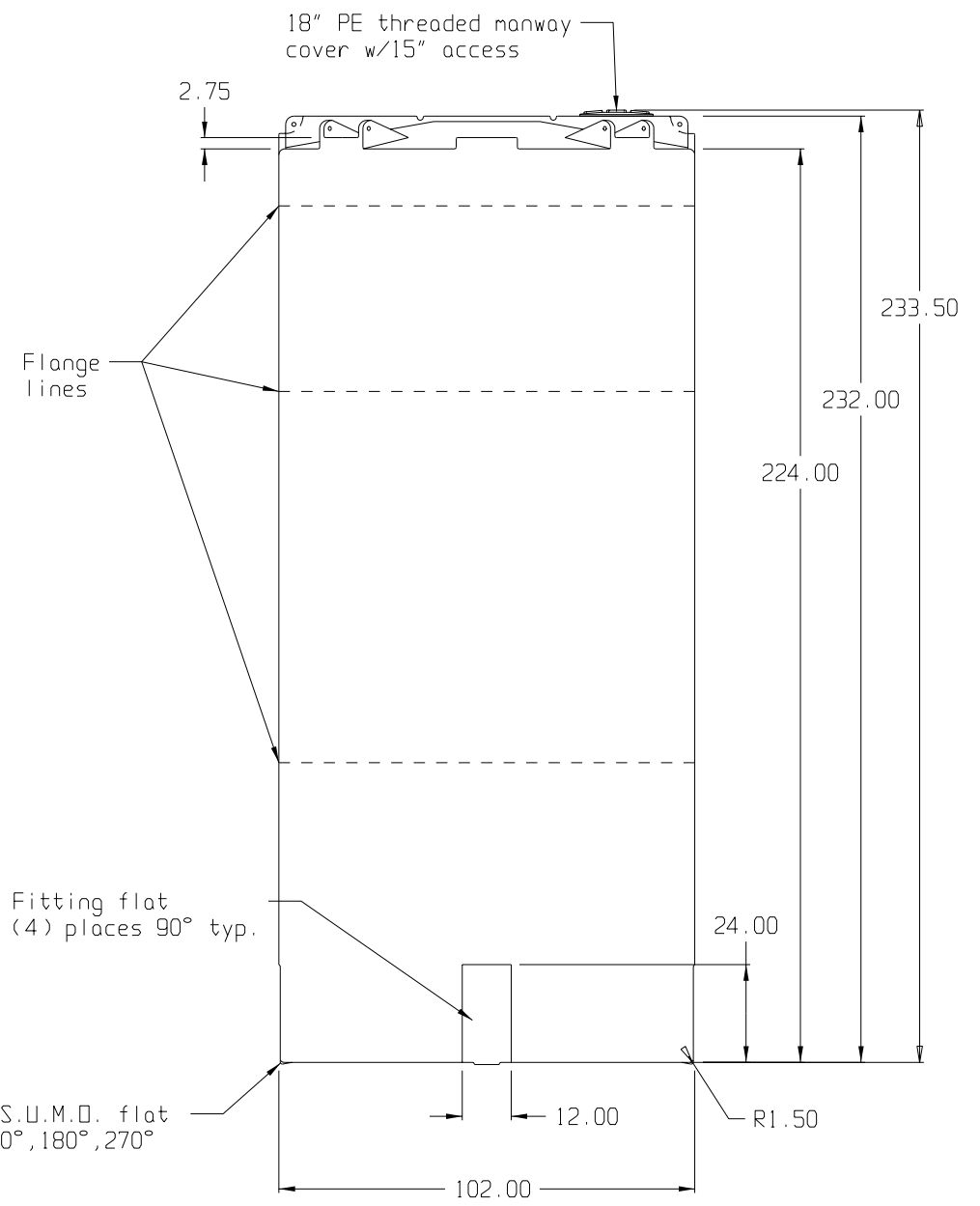


Tiedown support/lifting lug (8) places 90° typ.



Flange lines

Fitting flat (4) places 90° typ.

2"-3" S.U.M.D. flat typ @ 0°, 180°, 270°

(all dimensions in inches)

BASE FITTINGS TO BE LEFT INSTALLED AT TIME OF SHIPMENT PER Sii PROCEDURE

PART # TANK: 7440--L

7,500 GALLON FLAT BOTTOM TANK

REF#: 0000

06/24/02