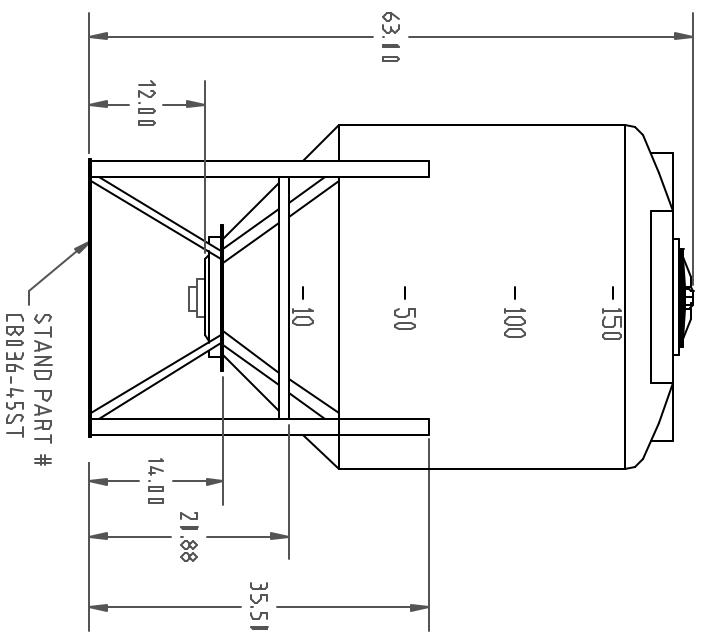


2" B.H. FITTING IS STANDARD



DRAWN / DATE DHJ 4/16/04		MATERIAL / SHOT WEIGHT 61LBS.	
APPRD. / DATE		THIRD ANGLE PROJECTION ANSI 14.5M	
DESCRIPTION		NOTES: .25 WALL	
REV		CLIENT / DESCRIPTION 150 GALLON CONE 4.5°	
DATE APPRD.		SCALE NONE	
		PART NO. CB0150-36	

ALL DIMENSIONS ARE IN DECIMAL INCHES
TOLERANCES UNLESS OTHERWISE SPECIFIED
± 1% @ 68° F

Ace Roto-Mold
A DIVISION OF DEN HARTOG INDUSTRIES, INC.