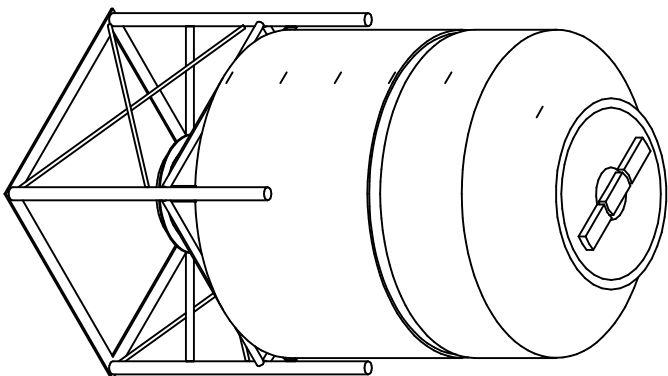
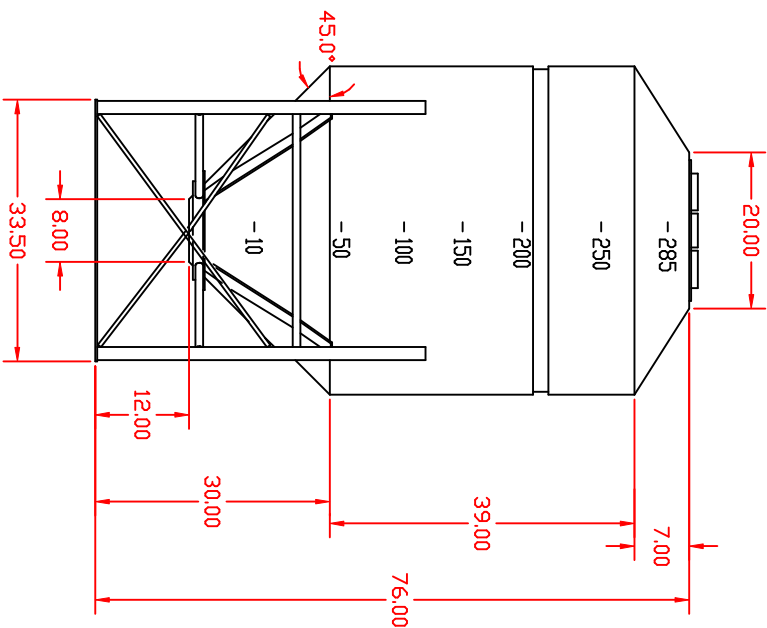
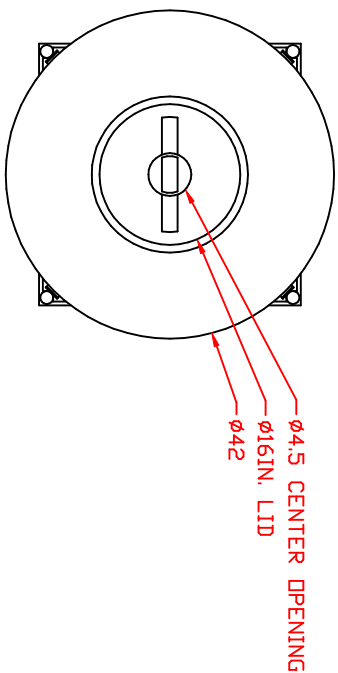


CB0300-42



DRAWN / DATE
DHJ/1/20/03
APPRD. / DATE

MATERIAL / SHOT WEIGHT

100 LBS.

NOTES:

1. NOM. WALL .320



Ace Roto-Mold

A DIVISION OF DEN HARTOG INDUSTRIES, INC.

CLIENT / DESCRIPTION

300 GALLON CONE BOTTOM & STAND

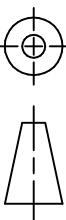
SCALE

NONE

PART NO.

CB0300-42 TANK
CB0200-ST STAND

THIRD ANGLE PROJECTION
ANSI 14.5M



ALL DIMENSIONS ARE IN DECIMAL INCHES
TOLERANCES UNLESS OTHERWISE SPECIFIED
± 1% @ 68° F

REV DESCRIPTION DATE APPRD.