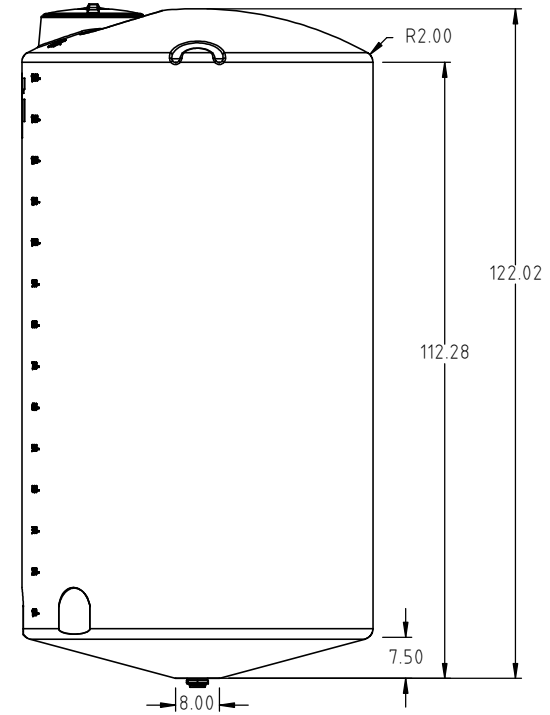
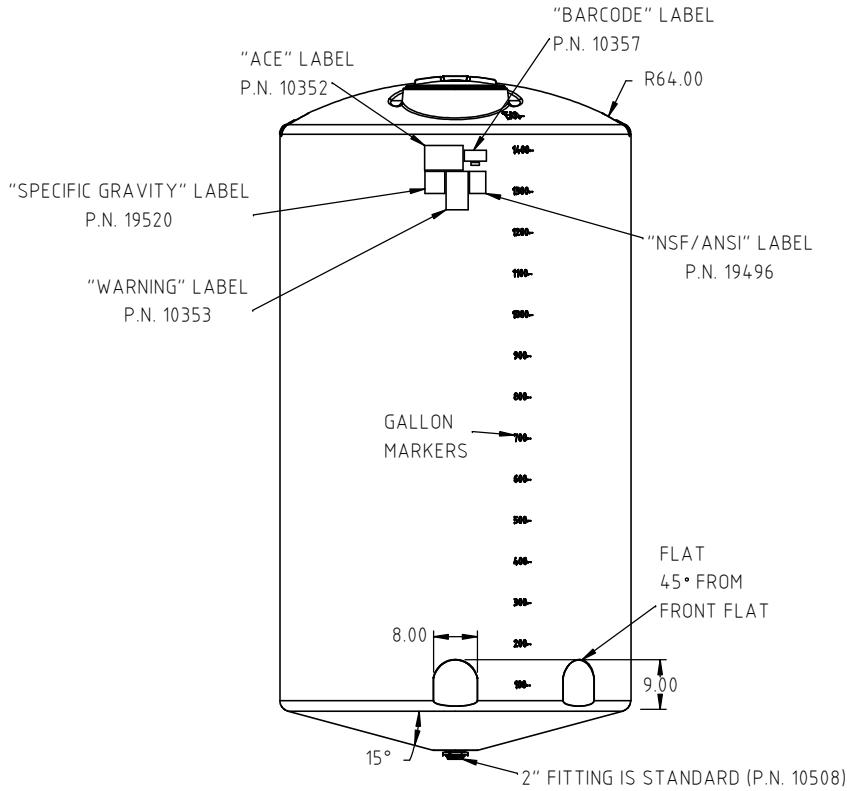
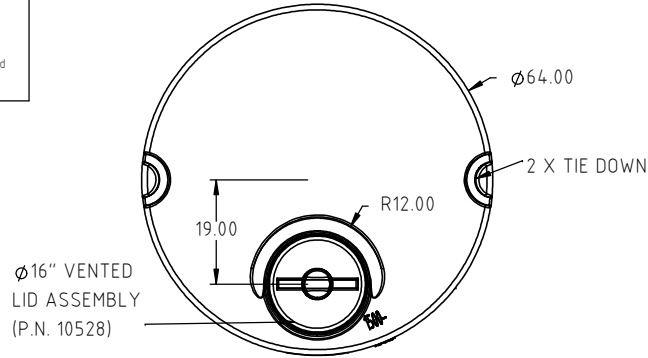


Copyright. All information furnished within this document, electronic file or design correspondence is the property of Den Hartog industries, Inc. and shall not be used, disclosed to others or copied without the expressed written consent of Den Hartog Industries, Inc.



| | | | | | |
|---|-------------|--------------------------------------|-----|--------------------------------|---|
| | | | | DRAWN / DATE DHJ 11/30/15 | MATERIAL HOPE OR EQUIVALENT REFERENCE MATERIAL DATA SHEET FOR SPECIFIC PROPERTIES. |
| | | | | APPROD. / DATE REH 12/15/15 | |
| REV | DESCRIPTION | BY / DATE | CCN | SHOT WEIGHT: 330.00 LBS | NOTES: 1.) NOM. WALL @ .340 |
| ALL DIMENSIONS ARE IN DECIMAL INCHES TOLERANCES UNLESS OTHERWISE SPECIFIED | | THIRD ANGLE PROJECTION ANSI 14.5M | | SHIPPING WEIGHT: 332.00 LBS | |
| POLYETHYLENE ±1% @ 68°F | | | | FINISH: | |
| METAL DECIMAL ± .125" FRACTION ± 1/4" ANGLE ± 1° | | | | | |



Den Hartog
INDUSTRIES, INC.

Ace Roto-Mold Injection Molding Blow Molding Sowjoy

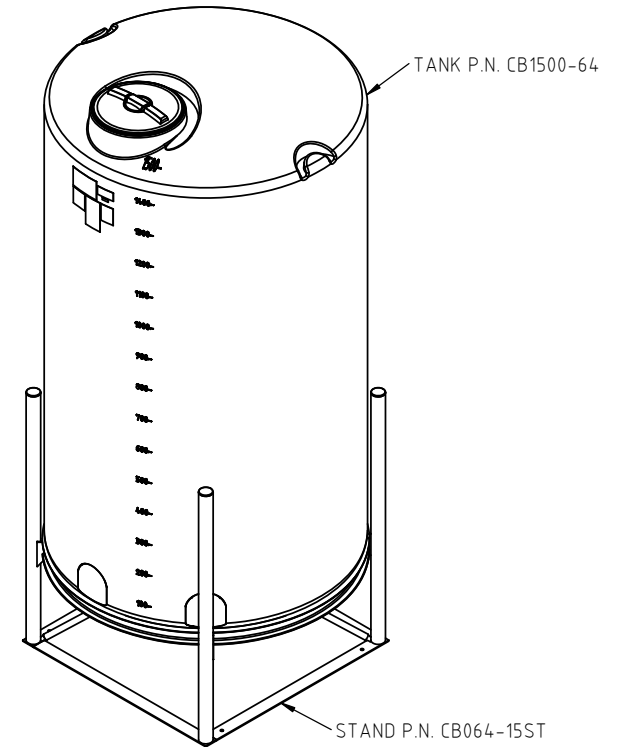
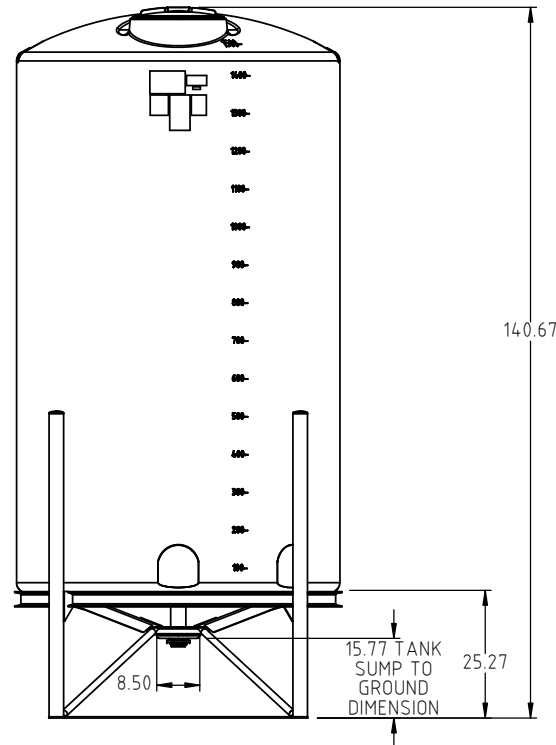
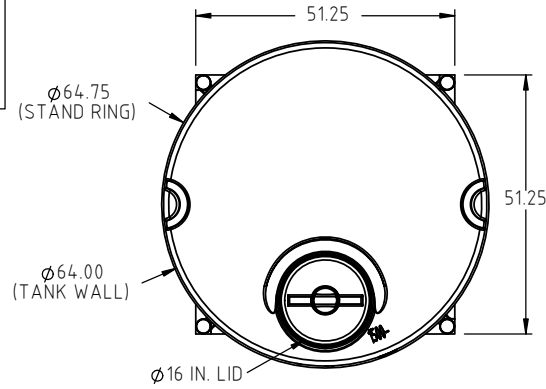
4010 HOSPERS DRIVE S. BOX 425, HOSPERS, IOWA 51238-0425

| | |
|--|-----------------------|
| DESCRIPTION 1500 GALLON 15 DEG CONE BOTTOM TANK | |
| SCALE N.S. | PART NO. CB1500-64 |

© DEN HARTOG INDUSTRIES, INC.

Copyright. All information furnished within this document, electronic file or design correspondence is the property of Den Hartog Industries, Inc. and shall not be used, disclosed to others or copied without the expressed written consent of Den Hartog Industries, Inc.

CB1500-64+64-15ST



| | | | | | |
|---|-------------|---|-----|--------------------------------|----------------------------|
| | | | | DRAWN / DATE ADH 12/2/15 | MATERIAL SEE COMPONENTS |
| | | | | APPRD. / DATE REH 12/15/15 | |
| REV | DESCRIPTION | BY / DATE | CCN | SHOT WEIGHT: | NOTES: |
| | | | | SHIPPING WEIGHT: 652.00 LBS | |
| | | | | FINISH: | |
| ALL DIMENSIONS ARE IN DECIMAL INCHES TOLERANCES UNLESS OTHERWISE SPECIFIED | | THIRD ANGLE PROJECTION ANSI 14.5M | | | |
| POLYETHYLENE ±1% @ 68°F | | METAL DECIMAL ± .125" FRACTION ± 1/4" ANGLE ± 1° | | | |



Den Hartog
INDUSTRIES, INC.

Ace Roto-Mold Injection Molding Blow Molding Sowjoy

4010 HOSPERS DRIVE S. BOX 425, HOSPERS, IOWA 51238-0425

| | |
|--|-------------------------------|
| DESCRIPTION 1500 GALLON 15 DEG CONE BOTTOM TANK AND STAND | |
| SCALE N.S. | PART NO. CB1500-64+64-15ST |