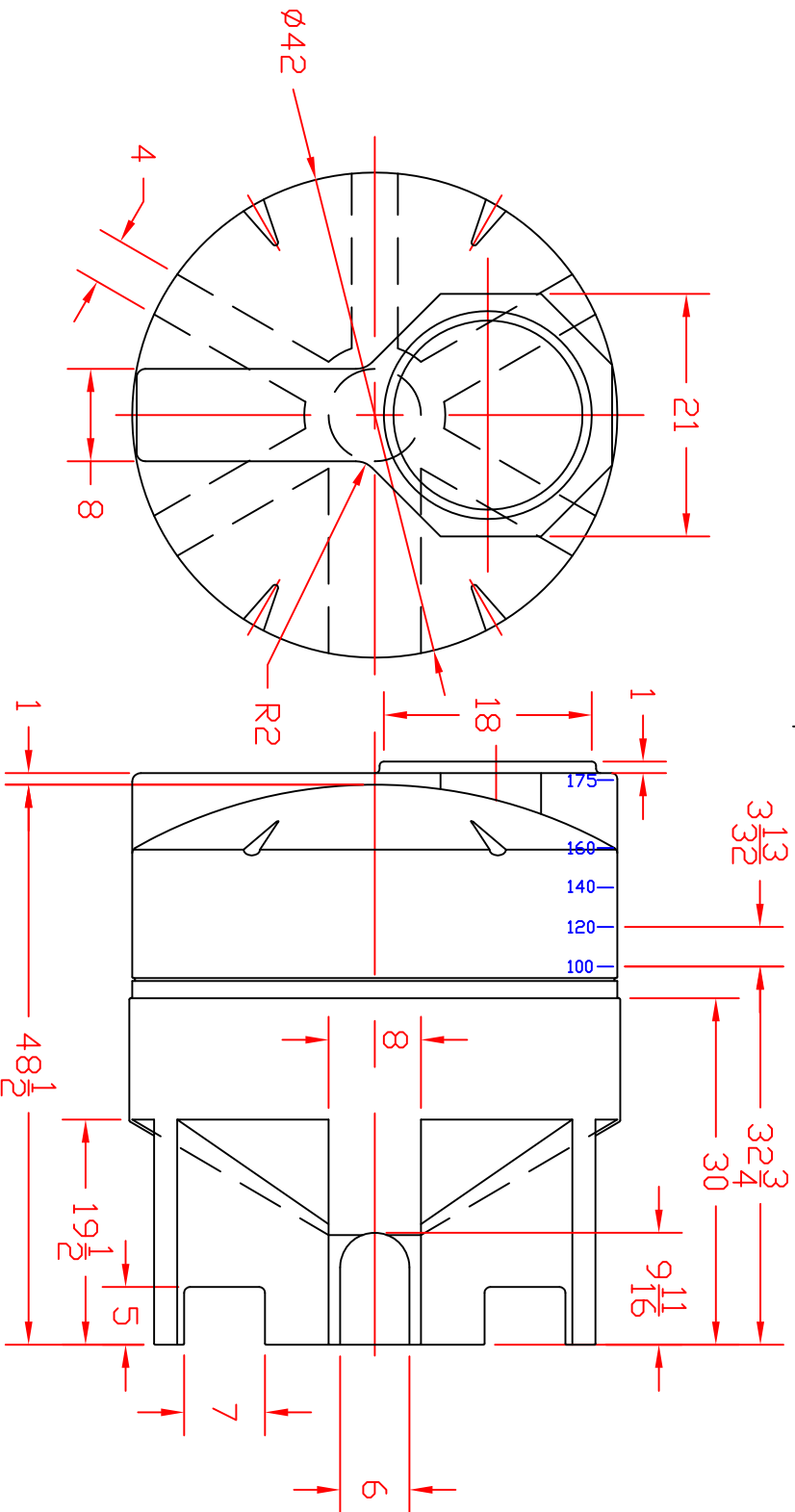


REVISIONS

ZONE	REV	DESCRIPTION	DATE	APPROVED
B		REDRAWN W/ 16" LID	23JAN02	



NORWESCO
ST. BONIFACIUS, MN

175 GALLON CONE BOTTOM
TANK WITH STAND

JTP 23JAN02

SIZE FSCM NO.
A

DWG NO.

REV
B

SCALE 1/16

SHEET