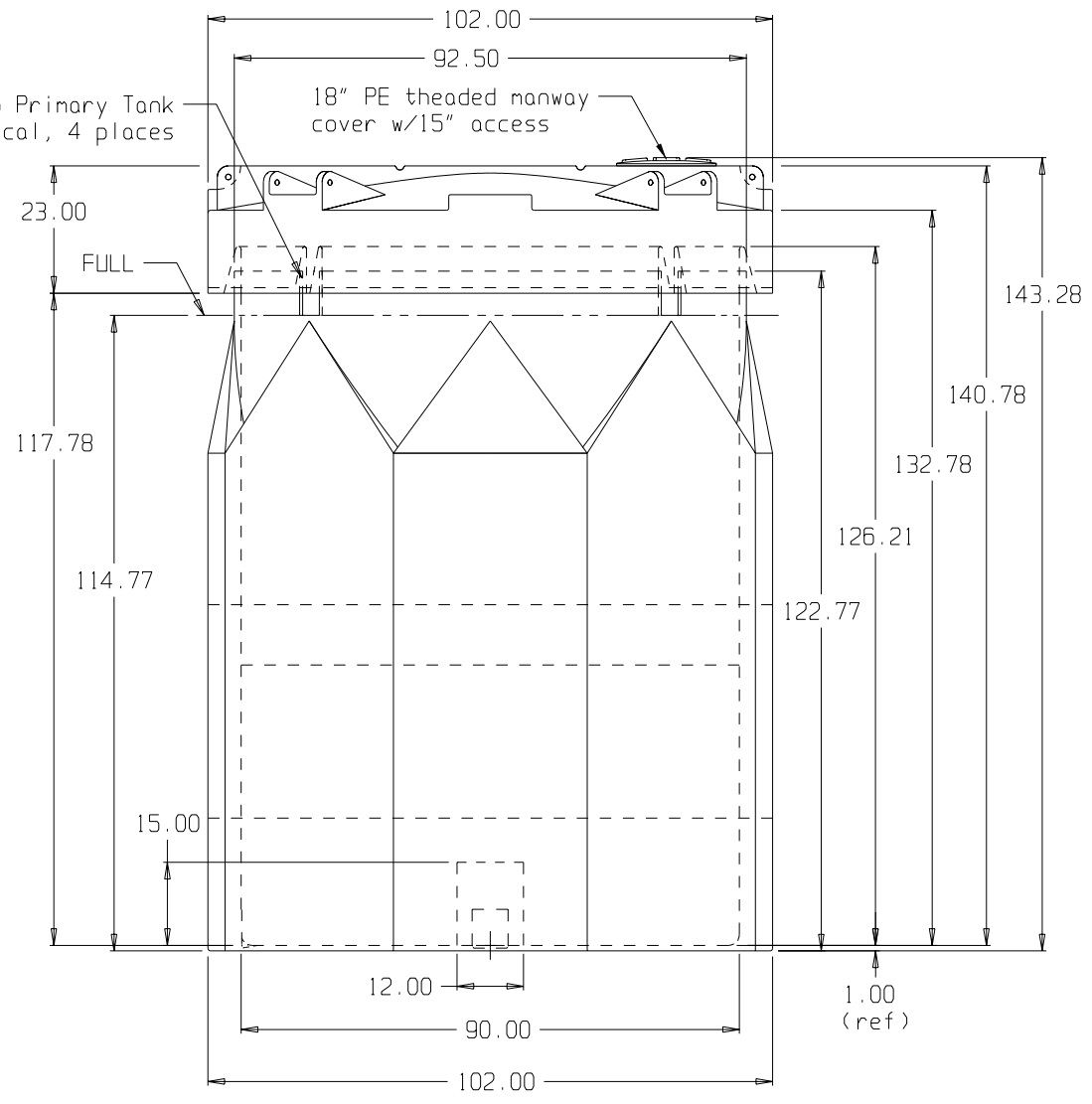
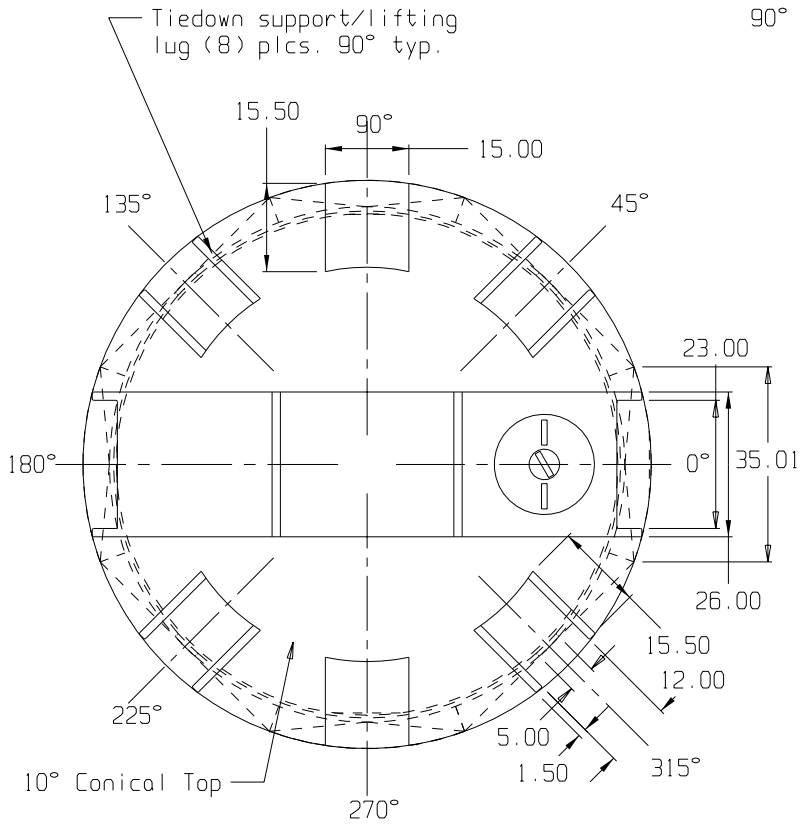


NOTE: C/L HEIGHT FOR FITTING IN UFO TRANSITION FITTING IS 10".



(all dimensions in inches)

PART #	PRIMARY:	5590--
	CONTAINMENT:	5520--
REF#:	0000	06/26/02

BASE FITTINGS TO BE LEFT INSTALLED AT TIME OF SHIPMENT PER SII PROCEDURE

3,000 GALLON CAPTOR CONTAINMENT SYSTEM