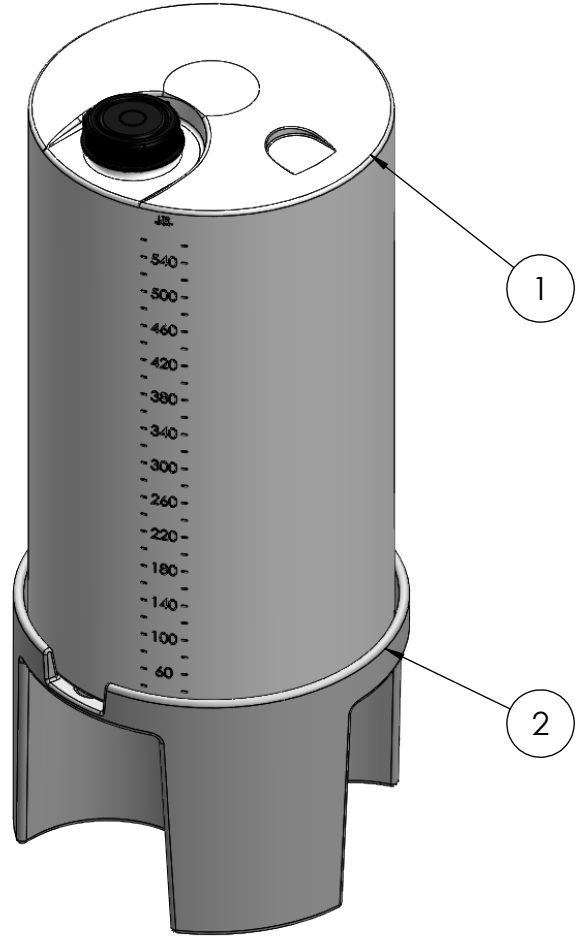
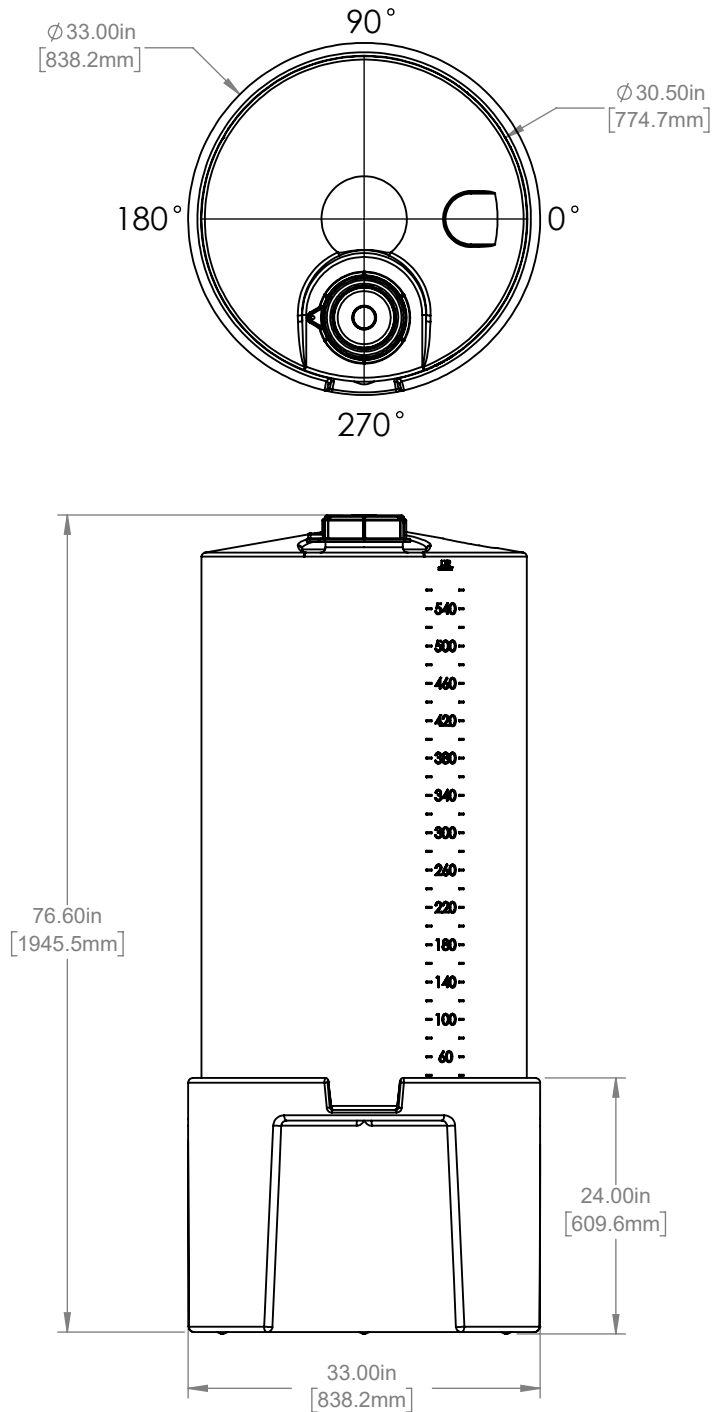


ITEM	QTY.	DESCRIPTION	PART NUMBER	MATERIAL
1	1	VST-125 I.G. @ 1.9 S.G.	1039-13050A-00-10	10 HDPE
2	1	30" DIA DISPENSING TANK STAND	1850-03000T-xx-xx	00 MDPE



- NOTES:
- 1) REFER TO PLAN VIEW FOR FITTING ORIENTATION
 - 2) ALL TRIMMED EDGES ARE ROUNDED OFF
 - 3) ALL DIMENSIONS ARE APPROXIMATE
 - 4) CAPACITY 125 IG (150 USG/560 L)

FAILURE TO PROVIDE ADEQUATE PROVISIONS FOR TANK EXPANSION/CONTRACTION AT FITTINGS WILL VOID ALL WARRANTIES.

REVISIONS		
REV.	DESCRIPTION	DATE
00	KPP-FCI	2024-07-05

FINAL APPROVED DRAWING CUSTOMER:..... DATE:.....

Dedicated Plastic Tanks

TOLERANCES UNLESS OTHERWISE STATED: X.X ±3% X.XX ±2% X.XXX ±1% ANGULAR ±3%

TITLE: **VST- 125 I.G. w30" DSPT STAND**

PART NUMBER: **2824-10200A-00-00**

REVISION: **00**

CUSTOMER:

PROJECT: **2024-102**

DRAWN BY: **KPP**

DATE: **Jul 05, 2024**

RTS PROJECT #: **2800**

P.O.#: