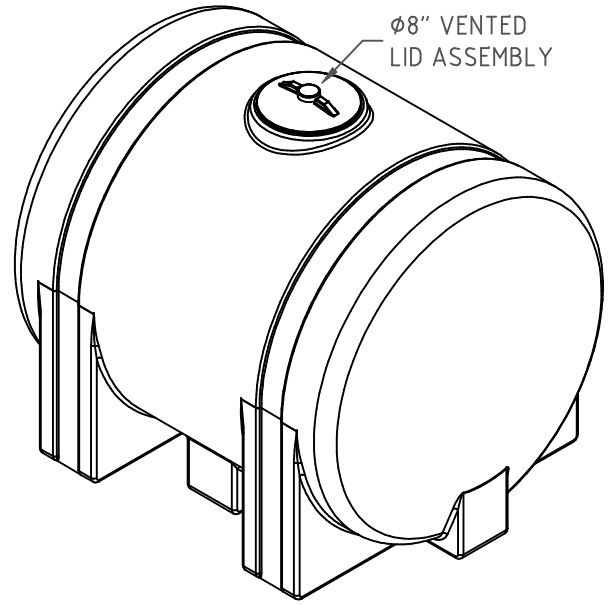
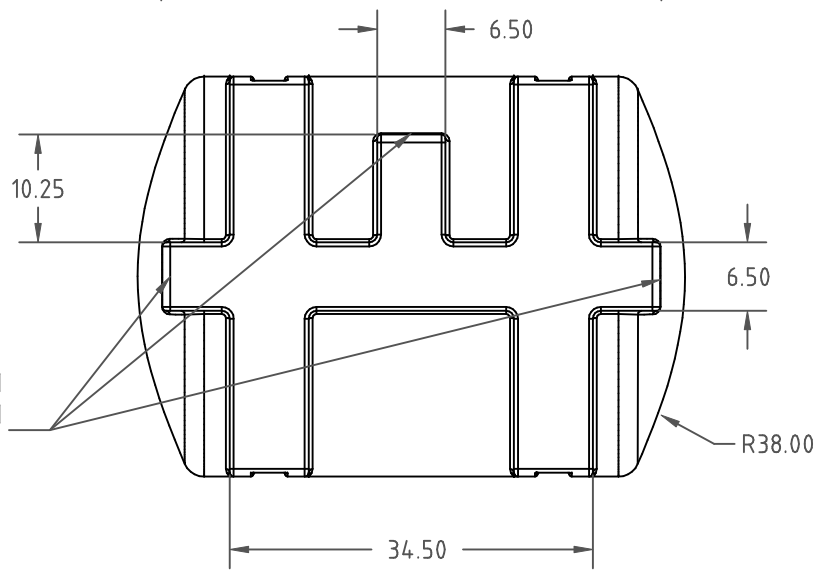
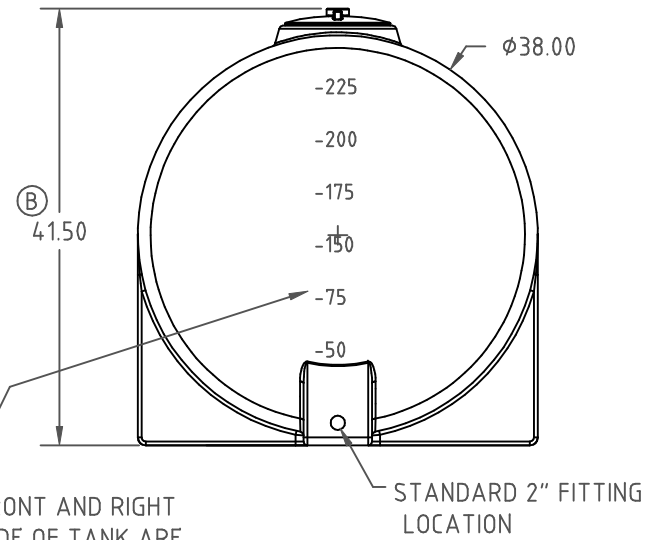
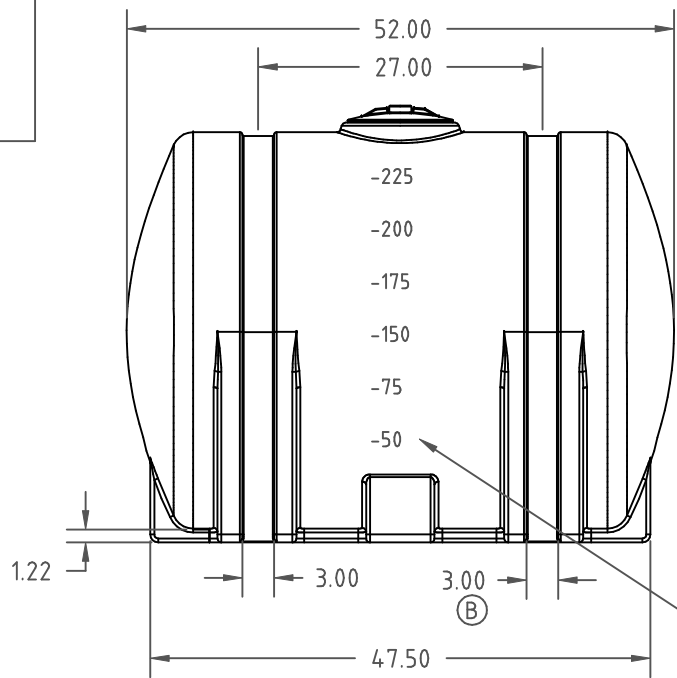


PROPRIETARY DATA

PROPERTY OF DEN HARTOG INDUSTRIES, INC. INFORMATION FURNISHED HEREIN IS THE PROPERTY OF DEN HARTOG INDUSTRIES, INC. AND SHALL NOT BE USED, DISCLOSED TO OTHERS, OR COPIED WITHOUT THE EXPRESSED WRITTEN CONSENT OF DEN HARTOG INDUSTRIES, INC. ALL RIGHTS RESERVED.

FS0225-38



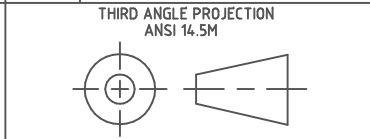
| | | | | | | |
|-----|----------------------------------|----------|-------|------|---------------|---|
| C | ADDED STANDARD FITTING LOCATION | 12/9/08 | DHJ | 1765 | DRAWN / DATE | MATERIAL |
| B | WIDTH WAS 2.5 AND HEIGHT WAS 4.3 | 7/25/06 | NVE | | DHJ 3/11/94 | |
| A | NEW DRAWING FORMAT | 10/11/05 | NVE | | APPRD. / DATE | HDPE OR EQUIVALENT REFERENCE MATERIAL DATA SHEET FOR SPECIFIC PROPERTIES. |
| REV | DESCRIPTION | DATE | APPRD | CCN | ADH 3/11/94 | |

ACE ROTO-MOLD
 A DIVISION OF DEN HARTOG INDUSTRIES, INC.
 4010 HOSPERS DRIVE SOUTH BOX 425, HOSPERS, IOWA 51238

CLIENT / DESCRIPTION

ALL DIMENSIONS ARE IN DECIMAL INCHES
 TOLERANCES UNLESS OTHERWISE SPECIFIED

+ 1% @ 68° F



NOTES:

- NOM. WALL @ 0.27
- BLACK, WHITE, OR YELLOW COLOR
- SHOT WEIGHT 85 LBS.

225 GALLON FREE-STANDING TANK

SCALE N.S. PART NO. FS0225-38