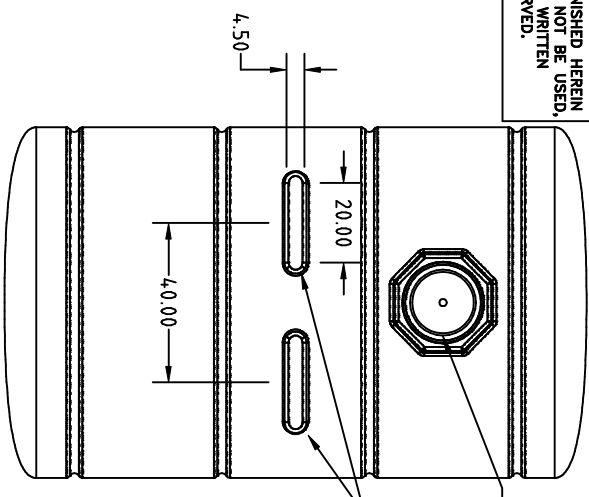


PROPRIETARY DATA

PROPERTY OF ACE ROTO-MOLD MFG., INC. INFORMATION FURNISHED HEREIN IS THE PROPERTY OF ACE ROTO-MOLD MFG., INC. AND SHALL NOT BE USED, DISCLOSED TO OTHERS, OR COPIED WITHOUT THE EXPRESSED WRITTEN CONSENT OF ACE ROTO-MOLD MFG., INC. ALL RIGHTS RESERVED.

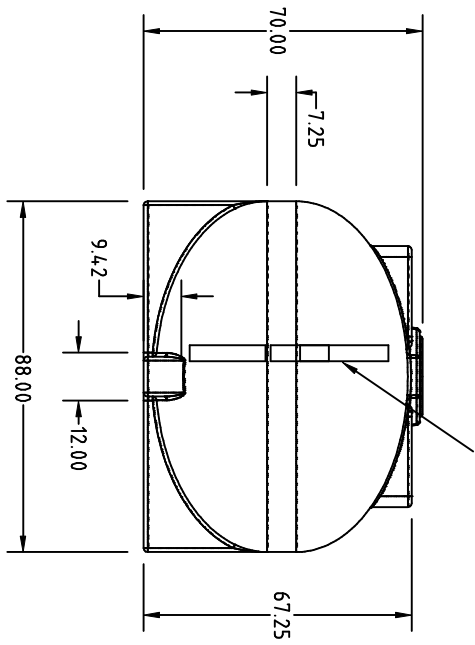
FS2750-88

A

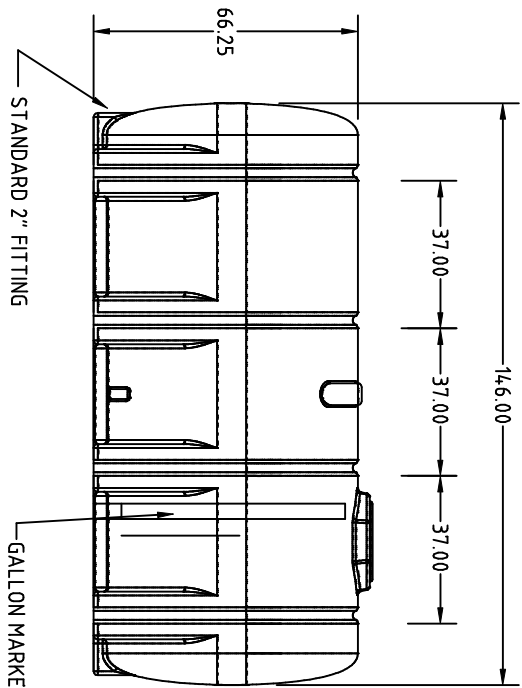


10528 16" LID
10534 LANYARD

INSTALL 4 EACH FS2750-BAF BAFFILES HERE



GALLON MARKERS HERE



| | | | |
|---------------|----------------|-------------|-------|
| DRAWN / DATE | | REH/3/13/06 | |
| APPRD. / DATE | | REH/3/13/06 | |
| REV | DESCRIPTION | DATE | APPRD |
| A | CORRECT PART # | 1/8/07 | DHJ |

| | | | |
|------------------------|--|--|--|
| MATERIAL / SHOT WEIGHT | | M111 M134 U625 P938 | |
| NOTES: | | 1. .450 NOMINAL WALL 2. BLUE, BLACK, WHITE OR YELLOW COLOR | |
| CLIENT / DESCRIPTION | | ACE ROTO-MOLD A DIVISION OF DEN HARTOG INDUSTRIES, INC. 4018 HWY. 60 BLVD., BOX 421, HOSPERS, IOWA 51238 | |
| SCALE | | N.S. | |
| PART NO. | | FS2750-88 | |

ALL DIMENSIONS ARE IN DECIMAL INCHES
TOLERANCES UNLESS OTHERWISE SPECIFIED
+ .5% @ 68° F

