
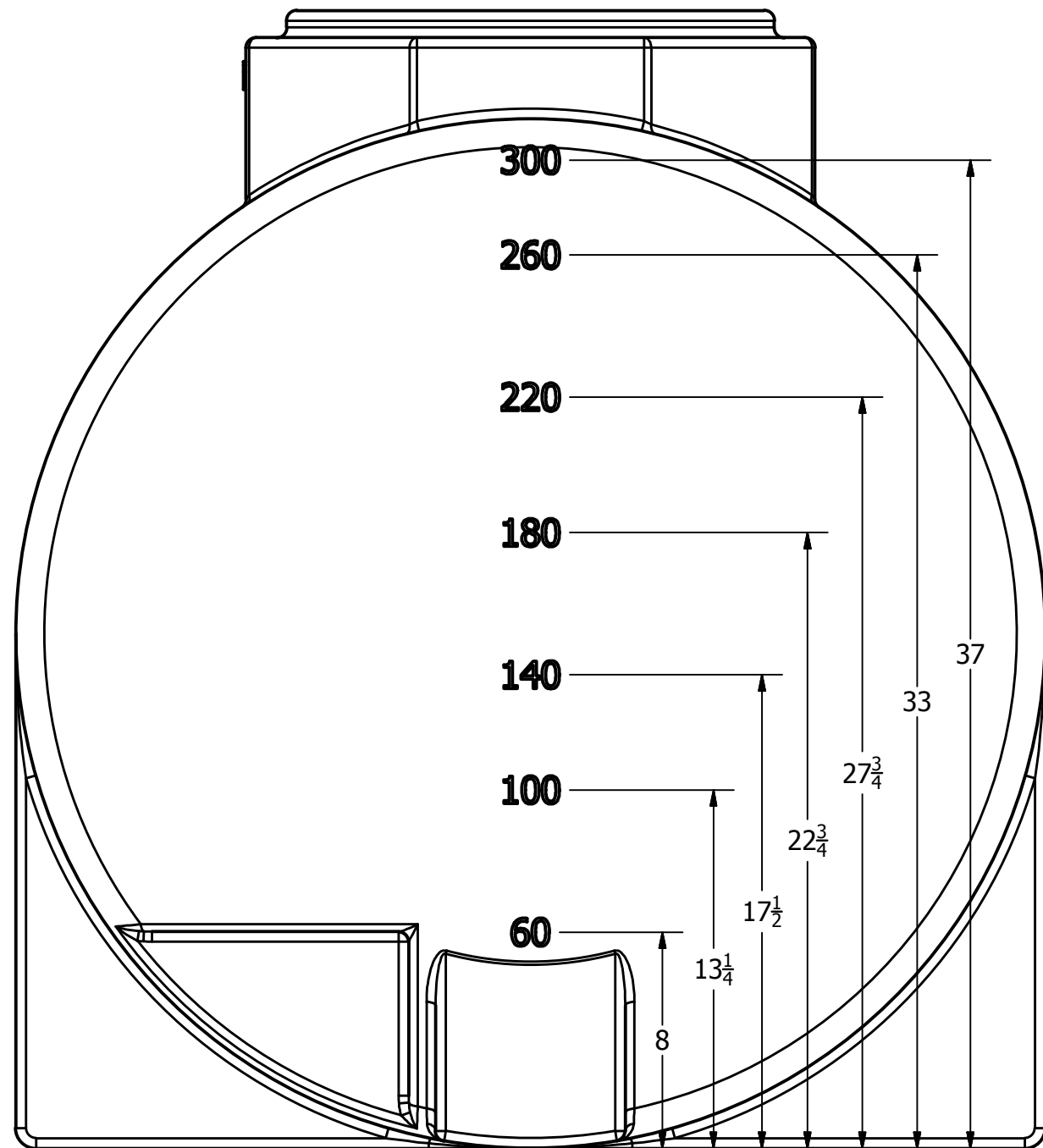



REVISION HISTORY				
REV	DESCRIPTION	DATE	AUTHOR	
A	REDRAWN	8/14/1997		
B	REDRAWN	7/19/2013	Michael Holden	
DRAWN Jerry Paulson		8/14/1997	 NORWESCO NORWESCO, INC. SAINT BONIFACIUS, MN TITLE 325 GALLON HORIZONTAL LEG TANK	
CHECKED				
QA				
MFG				
APPROVED				
		SIZE B	DWG NO	REV B
		SCALE: 1/16	SHEET 1 OF 2	



GALLON MARKS ON BOTH ENDS

DRAWN Jerry Paulson	8/14/1997			
CHECKED		NORWESCO, INC. SAINT BONIFACIUS, MN		
QA		TITLE		
MFG		325 GALLON HORIZONTAL LEG TANK		
APPROVED				
		SIZE B	DWG NO	REV B
		SCALE: 1/16		SHEET 2 OF 2