
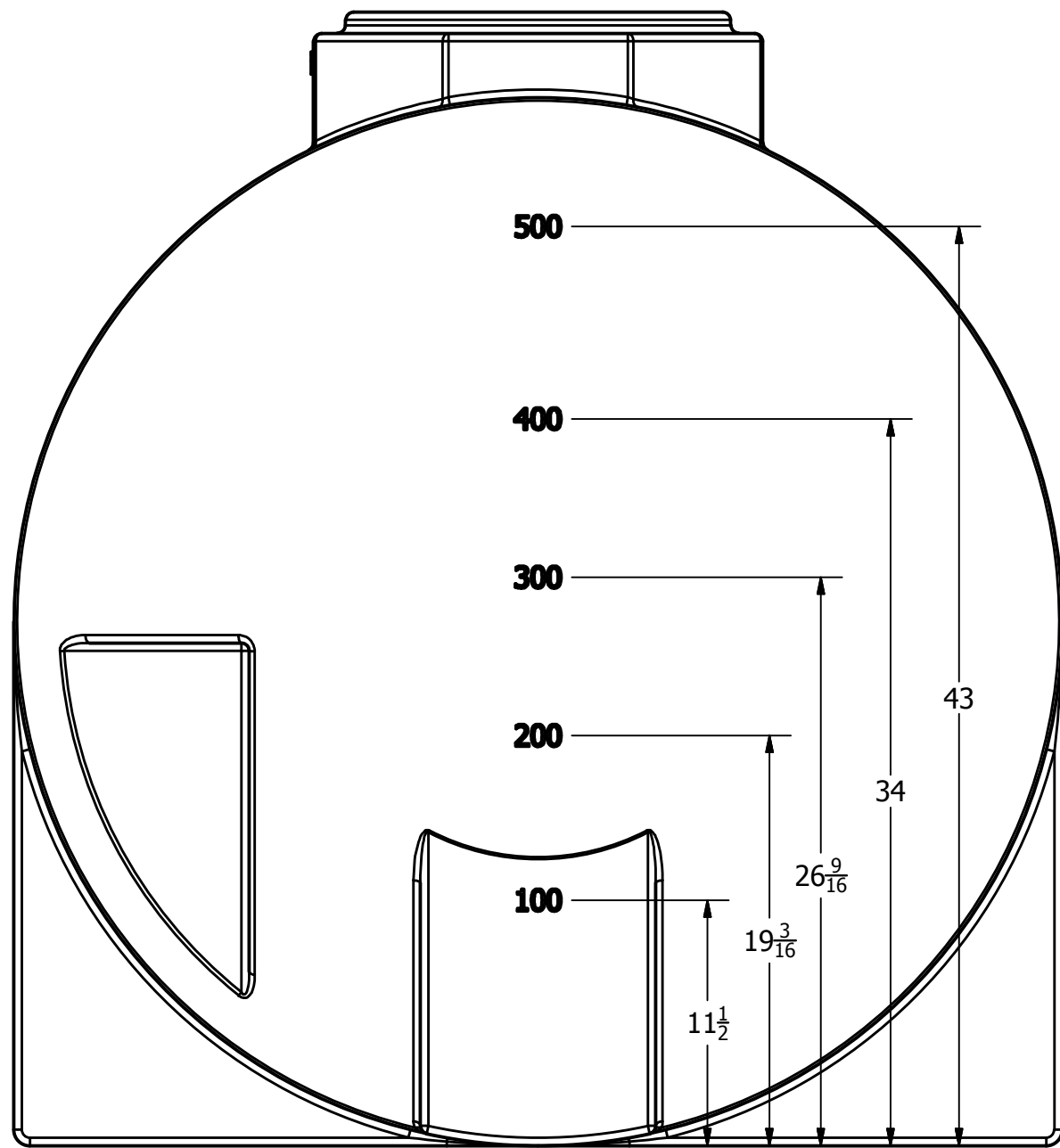



| REVISION HISTORY       |                       |                  |   |          |
|------------------------|-----------------------|------------------|---|----------|
| REV                    | DESCRIPTION           | DATE             | AUTHOR  |          |
| C                      | REDRAWN               | 2/10/1997        |   |          |
| C1                     | CORRECTED, WAS 27-1/2 | 9/23/2002        |   |          |
| D                      | WAS 72 1/2            | 12/3/2004        |   |          |
| E                      | REDRAWN               | 7/12/2013        | Michael Holden  |          |
| DRAWN<br>Jerry Paulson |                       | 2/10/1997        | <br><b>NORWESCO</b><br>NORWESCO, INC. SAINT BONIFACIUS, MN<br>TITLE<br><b>525 GALLON HORIZONTAL TANK</b> |          |
| CHECKED                |                       |                  |   |          |
| QA                     |                       |                  |   |          |
| MFG                    |                       |                  |   |          |
| APPROVED               |                       |                  |   |          |
|                        |                       | SIZE<br><b>B</b> | DWG NO  | REV<br>E |
|                        |                       | SCALE: 1/16      | SHEET 1 OF 2  |          |



GALLON MARKS  
ON BOTH ENDS

|                        |           |   |        |              |
|------------------------|-----------|---|--------|--------------|
| DRAWN<br>Jerry Paulson | 2/10/1997 |  |        |              |
| CHECKED                |           | NORWESCO, INC. SAINT BONIFACIUS, MN   |        |              |
| QA                     |           | TITLE   |        |              |
| MFG                    |           | 525 GALLON HORIZONTAL TANK  |        |              |
| APPROVED               |           | SIZE  | DWG NO | REV          |
|                        |           | B   |        | E            |
|                        |           | SCALE: 1/16   |        | SHEET 2 OF 2 |