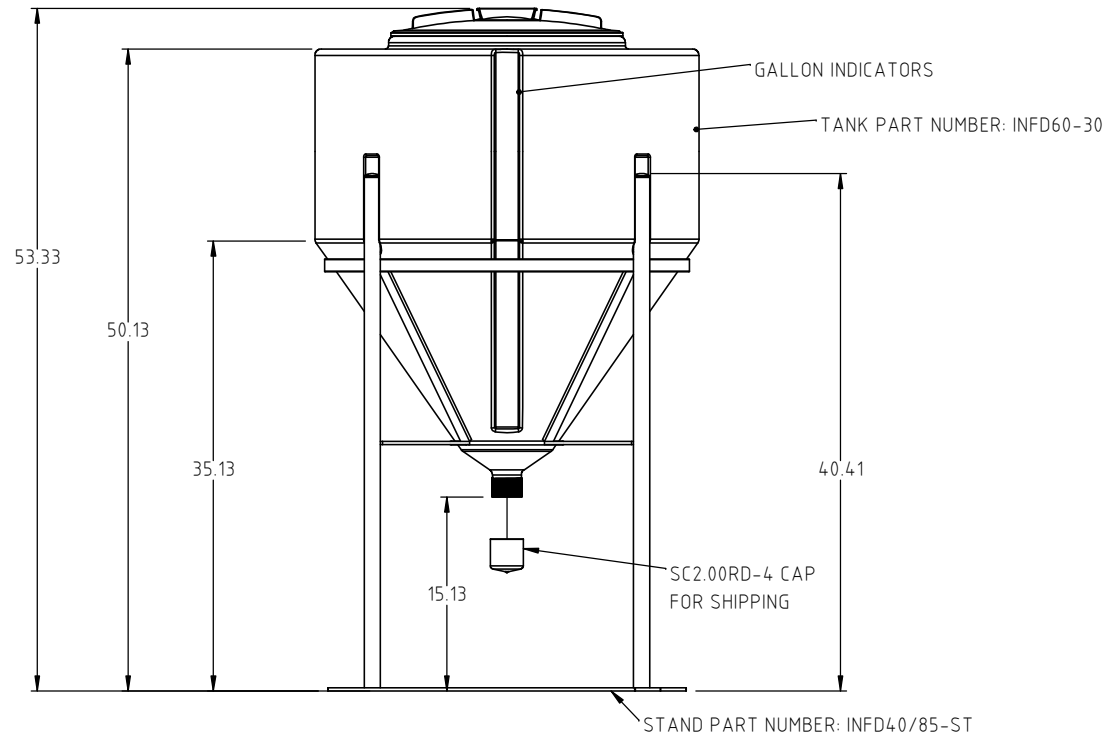
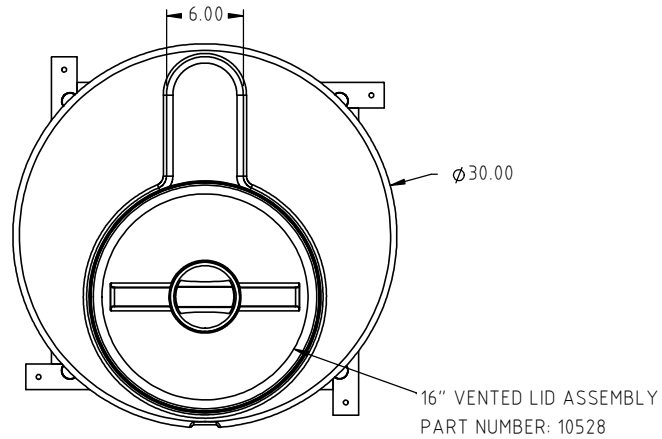



© DEN HARTOG INDUSTRIES, INC.

Copyright. All information furnished within this document, electronic file or design correspondence is the property of Den Hartog industries, Inc. and shall not be used, disclosed to others or copied without the expressed written consent of Den Hartog Industries, Inc.

INFD60-30+INFD40/85-ST



				DRAWN / DATE ADH 4/20/16	MATERIAL SEE COMPONENTS
				APPROD. / DATE REH 4/21/16	
REV	DESCRIPTION	BY / DATE	CCN	SHOT WEIGHT: N/A	NOTES:
				SHIPPING WEIGHT: 77.00 LBS	
				FINISH: SEE COMPONENTS	



Den Hartog

INDUSTRIES, INC.

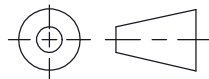
Ace Roto-Mold Injection Molding Blow Molding Sowjoy

4010 HOSPERS DRIVE S. BOX 425, HOSPERS, IOWA 51238-0425

DESCRIPTION 60 GALLON FULL DRAIN INDUCTOR AND STAND	
SCALE N.S.	PART NO. INFD60-30+INFD40/85-ST

ALL DIMENSIONS ARE IN DECIMAL INCHES
TOLERANCES UNLESS OTHERWISE SPECIFIED

THIRD ANGLE PROJECTION
ANSI 14.5M



POLYETHYLENE
±1% @ 68°F

METAL
DECIMAL ± .125"
FRACTION ± 1/4"
ANGLE ± 1°