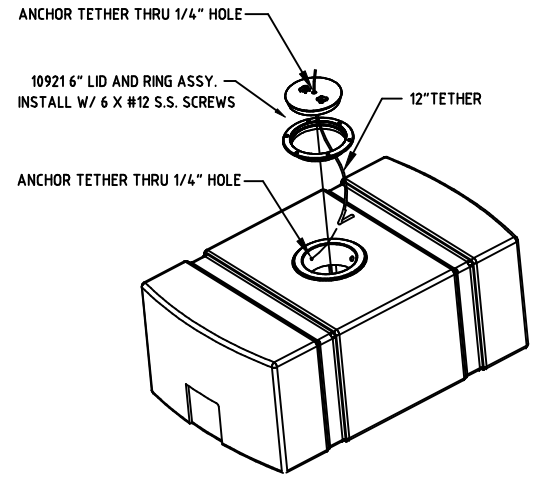
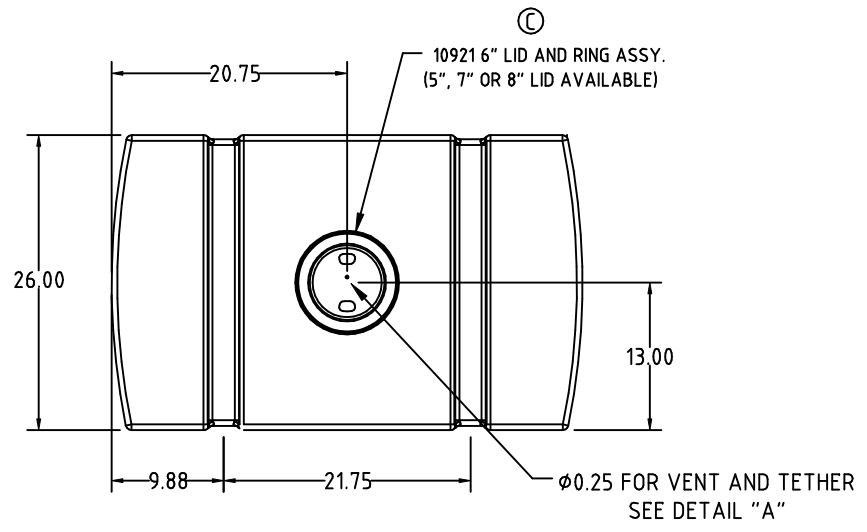
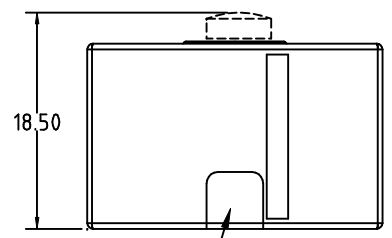


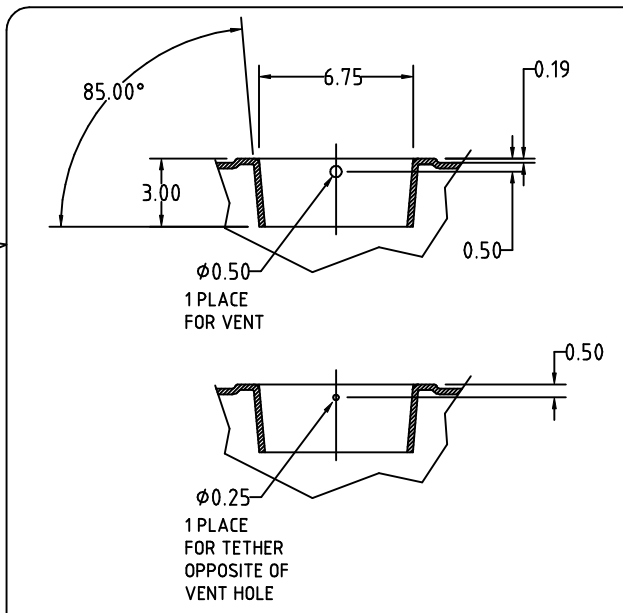
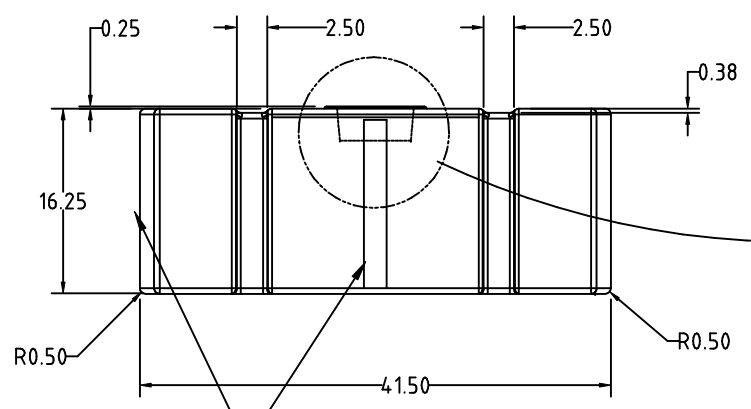
Copyright. All information furnished within this document, electronic file or design correspondence is the property of Den Hartog industries, Inc. and shall not be used, disclosed to others or copied without the expressed written consent of Den Hartog Industries, Inc.



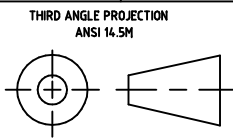
HEIGHT WITH 5" OR 7" LID OPTION



FITTING FLAT .50 DEEP ONE END ONLY STANDARD FITTING IS 1" FPT



C	5", 7" AND 8" LID ADDED	REH 6/7/10	2036	DRAWN / DATE	MATERIAL 10420 3 MELT
B	PART NUMBER UPDATED	ADH 8/19/08	1700	REH 10/21/01	
A	ADDED TETHER 12/6/01			DHJ 10/21/01	
REV	DESCRIPTION	BY / DATE	CCN	APPRD. / DATE	NOTES: 1. .270 NOM. WALL
	ALL DIMENSIONS ARE IN DECIMAL INCHES TOLERANCES UNLESS OTHERWISE SPECIFIED			SHOT WEIGHT: 40 LB.	
	POLYETHYLENE			SHIPPING WEIGHT: 42 LB.	
	METAL DECIMAL ± .125" FRACTION ± 1/4" ANGLE ± 1°			FINISH:	



Den Hartog
INDUSTRIES, INC.

Ace Roto-Mold Injection Molding Blow Molding Sowjoy
4010 HOSPERS DRIVE S. BOX 425, HOSPERS, IOWA 51238-0425

DESCRIPTION	68 GALLON RECTANGULAR TANK	
SCALE	N.S.	PART NO. LP0068-RT