

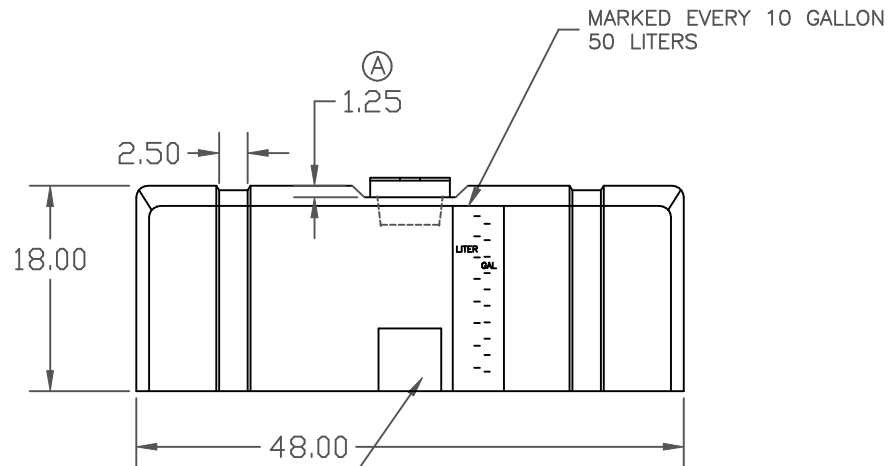
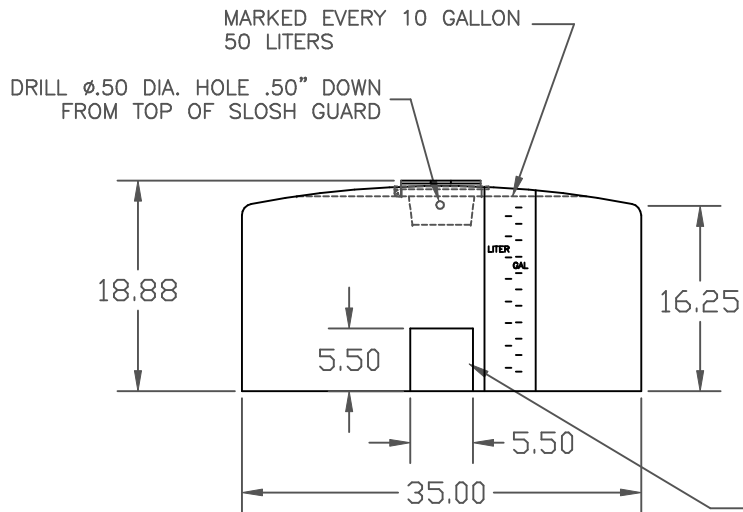
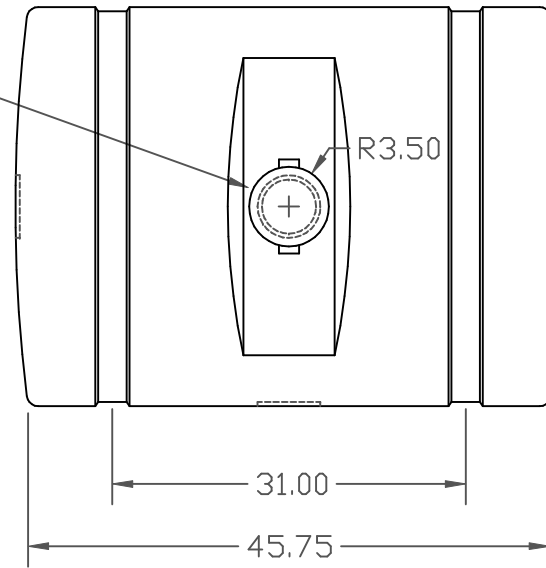
PROPRIETARY DATA

PROPERTY OF ACE ROTO-MOLD MFG., INC. INFORMATION FURNISHED HEREIN IS THE PROPERTY OF ACE ROTO-MOLD MFG., INC. AND SHALL NOT BE USED, DISCLOSED TO OTHERS, OR COPIED WITHOUT THE EXPRESSED WRITTEN CONSENT OF ACE ROTO-MOLD MFG., INC. ALL RIGHTS RESERVED.

Ⓢ LP0110-RT

D

5 INCH HINGED
FILL WELL



FITTING FLAT END AND SIDE
1 INCH STANDARD IN END

D	PART NUMBER UPDATED CCN 1700	ADH 8/19/08
C	LID RECESS ADDED	3/7/06
B	CHANGE WEIGHT TO 58 LB	2/10/06
A	CHANGE PRINT TO MATCH PART	2/9/06
REV	DESCRIPTION	DATE APPRD

DRAWN / DATE	DHJ 6/14/05
APPRD. / DATE	ADH 11/19/07

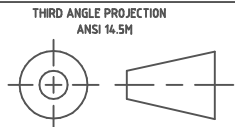
MATERIAL
HDPE OR EQUIVALENT
REFERENCE MATERIAL DATA SHEET
FOR SPECIFIC PROPERTIES.

 **Ace Roto-Mold**
A DIVISION OF DEN HARTOG INDUSTRIES, INC.
4010 HOSPERS DRIVE S., BOX 425, HOSPERS, IOWA 51238

CLIENT / DESCRIPTION
110 GAL. LOW PROFILE RECTANGULAR TANK

ALL DIMENSIONS ARE IN DECIMAL INCHES
TOLERANCES UNLESS OTHERWISE SPECIFIED

± 1% @ 68° F



- NOTES:
1. NOM. WALL @ .260
 2. NATURAL OR YELLOW COLOR
 3. SHOT WEIGHT 58 LBS.

SCALE
N.S.

PART NO.
Ⓢ LP0110-RT