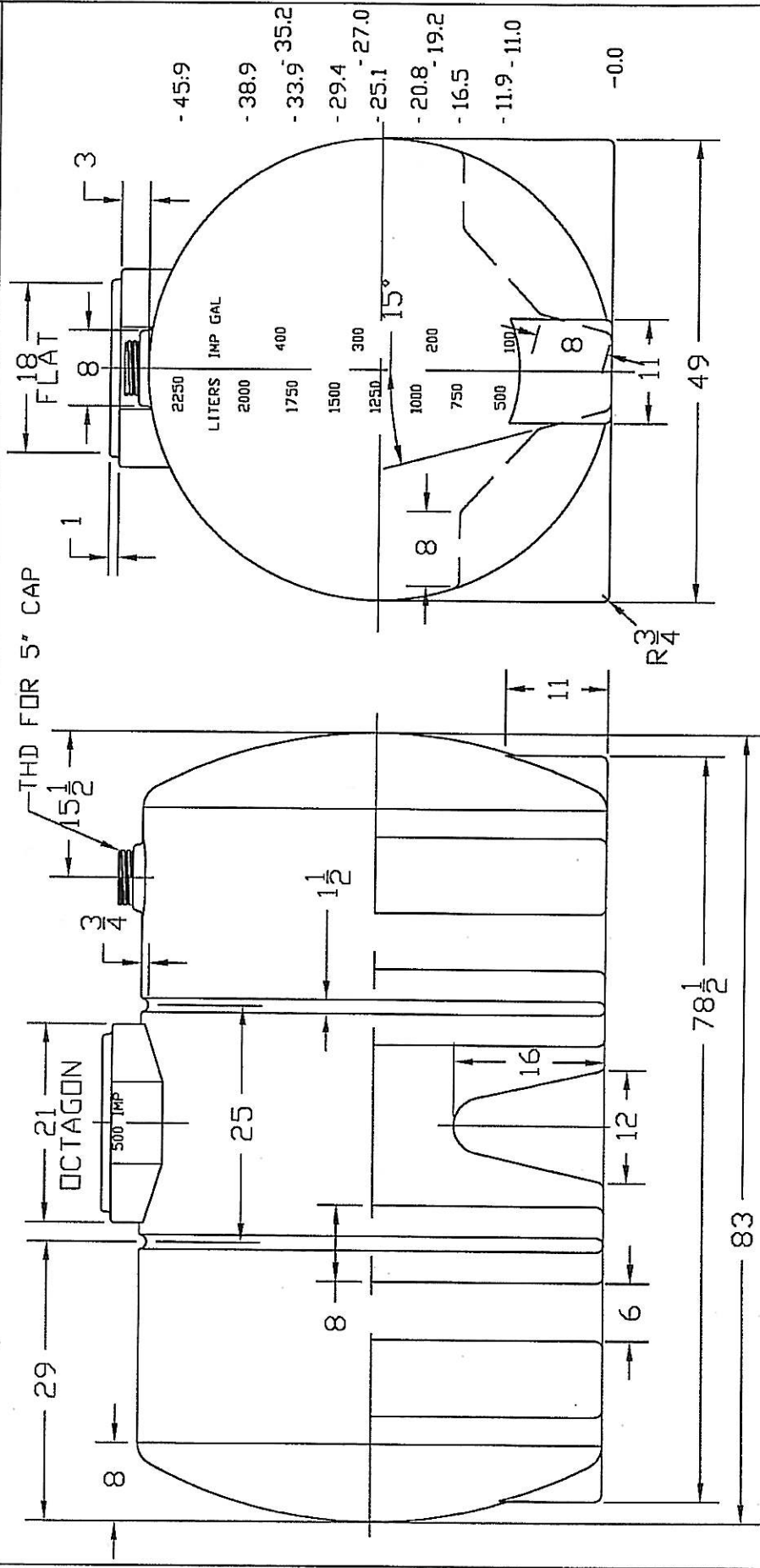


REVISIONS

ZONE	REV	DESCRIPTION	DATE	APPROVED



NORWESCO
ST. BONIFACIUS, MN

500 IMPERIAL GALLON
HORIZONTAL LEG TANK

JTP 07DEC00	SIZE FSCM NO.	DWG NO.	REV
	A	41393	
	SCALE 1/16	SHEET	