

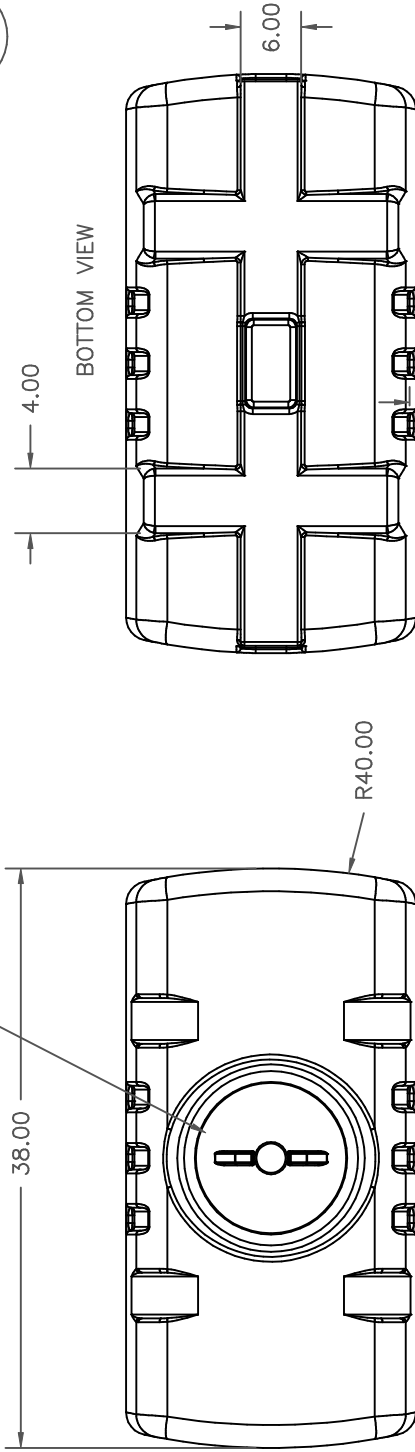
PROPRIETARY DATA

PROPERTY OF ACE ROTO-MOLD MFG., INC. INFORMATION FURNISHED HEREIN IS THE PROPERTY OF ACE ROTO-MOLD MFG., INC. AND SHALL NOT BE USED, DISCLOSED, TO OTHERS, OR COPIED WITHOUT THE EXPRESSED WRITTEN CONSENT OF ACE ROTO-MOLD MFG., INC. ALL RIGHTS RESERVED.

PC0050-19

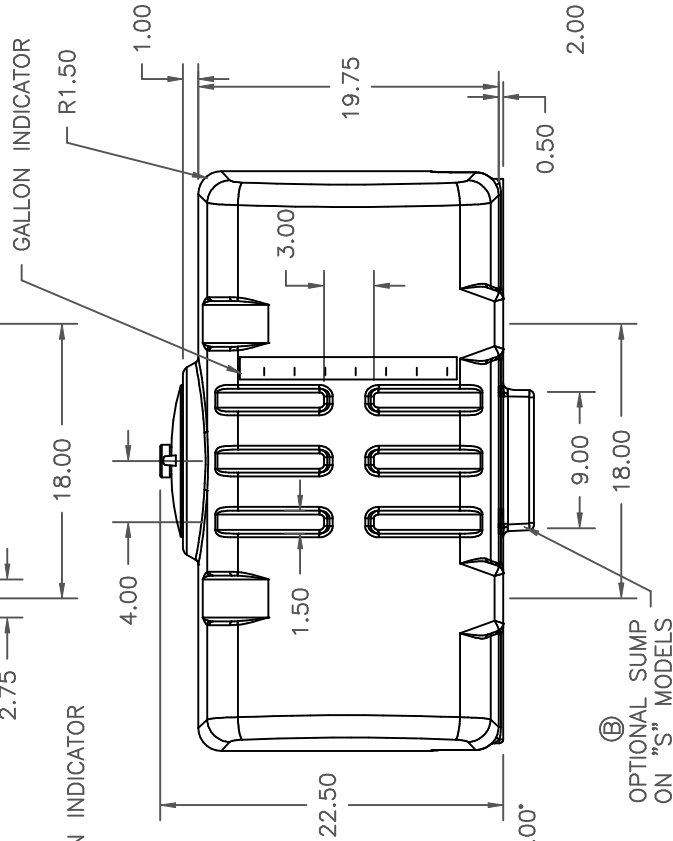
B

8" VENTED LID ASSEMBLY



DRILL 1 X .50 HOLE FOR VENTING

GALLON INDICATOR



OPTIONAL SUMP ON "S" MODELS

TANK WITH SUMP STANDARD LOCATION IS IN SUMP

REV	DESCRIPTION	DATE	APPRD	DRAWN / DATE	MATERIAL	CLIENT / DESCRIPTION
B	"S" MODEL WAS "M" CCN 1533	ADH 11/29/07		REH / 5/8/02	25 LB. MOBIL 134	50 GALLON PCO TANK
A	CLARIFY FITTING LOCATIONS	2/17/06		APPRD. / DATE DHJ / 5/8/02		
<p>ALL DIMENSIONS ARE IN DECIMAL INCHES TOLERANCES UNLESS OTHERWISE SPECIFIED + .5% @ 68° F</p>				<p>NOTES: 1. NATURAL COLOR 2. NOM. WALL .180</p>		ACE ROTO-MOLD A DIVISION OF DEN HARTOG INDUSTRIES, INC. 4010 HOSPERS DRIVE SOUTH, BOX 425, HOSPERS, IOWA 51238
<p>THIRD ANGLE PROJECTION ANSI 14.5M</p>						SCALE N.S.
						PART NO. PC0050-19S (SUMP) PC0050-19W (NO SUMP)