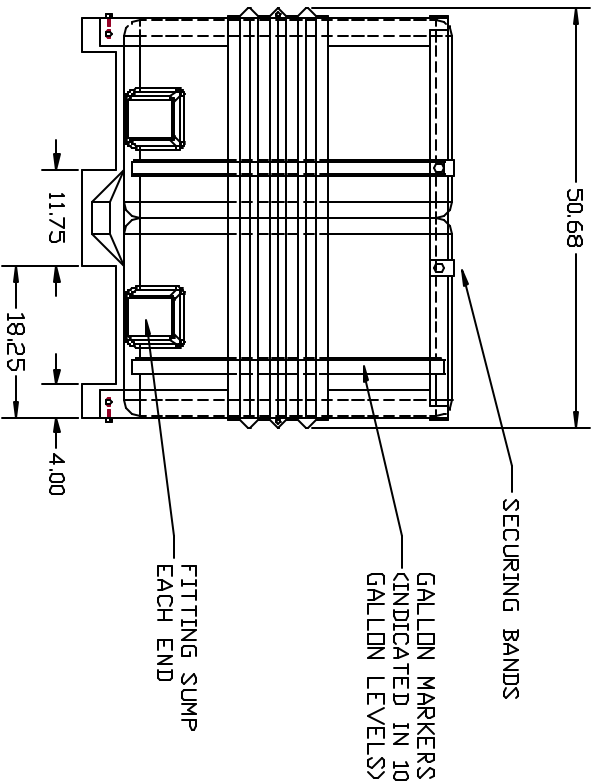
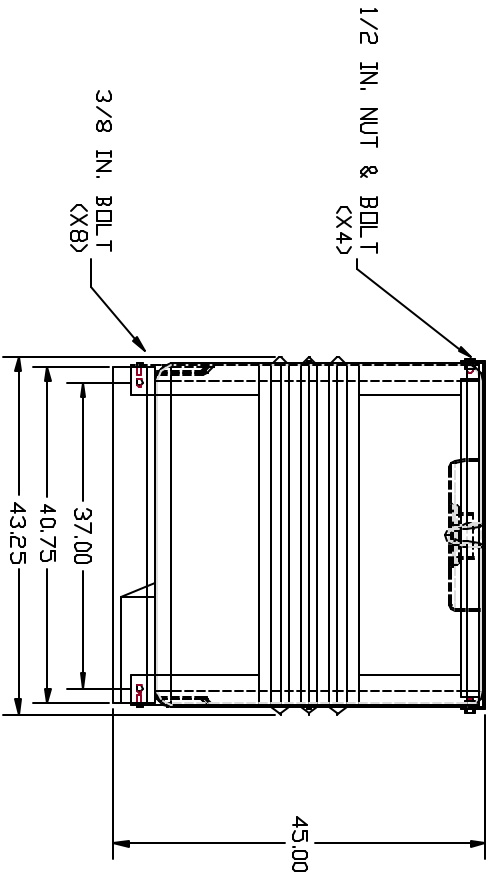
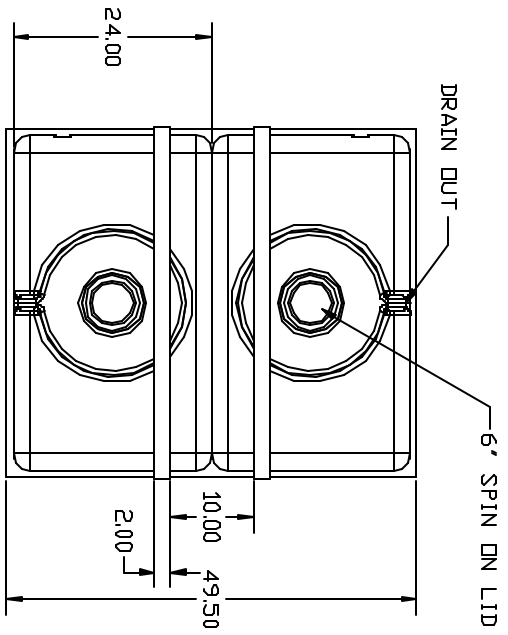


PROPRIETARY DATA

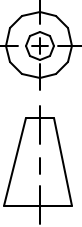
PROPERTY OF ACE ROTOMOLD MFG. INC. INFORMATION FURNISHED HEREIN IS THE PROPERTY OF ACE ROTOMOLD MFG. INC. AND SHALL NOT BE USED, DISCLOSED TO OTHERS, OR COPIED WITHOUT THE EXPRESSED WRITTEN CONSENT OF ACE ROTOMOLD MFG. INC. ALL RIGHTS RESERVED.

SP1150-2TPP



REV	DESCRIPTION	DATE	APPRD	DRAWN / DATE	MATERIAL
				NVE 6/24/15	
				APPRD. / DATE	
				DHJ 9/21/15	

THIRD ANGLE PROJECTION
ANSI X1.18



NOTES:

1. WEIGHT 356 LBS.



CLIENT / DESCRIPTION

151 GALLON PALLET PAK
2 TANKS, PALLET, FRAME

SCALE

N.S.

PART NO.

SP0150-2TPP

ALL DIMENSIONS ARE IN DECIMAL INCHES
TOLERANCES UNLESS OTHERWISE SPECIFIED

+ 1% @ 68° F