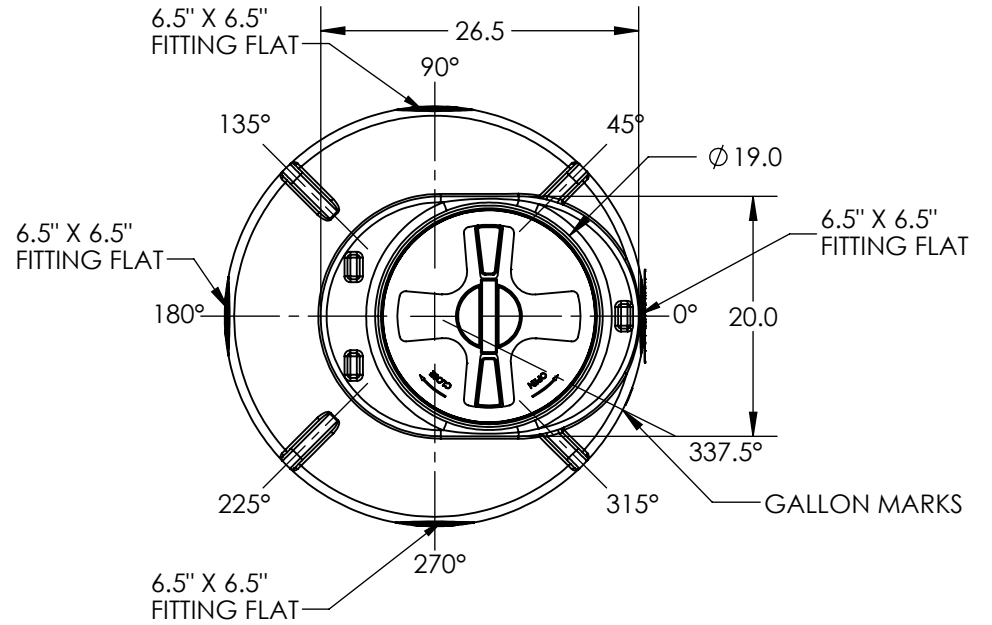
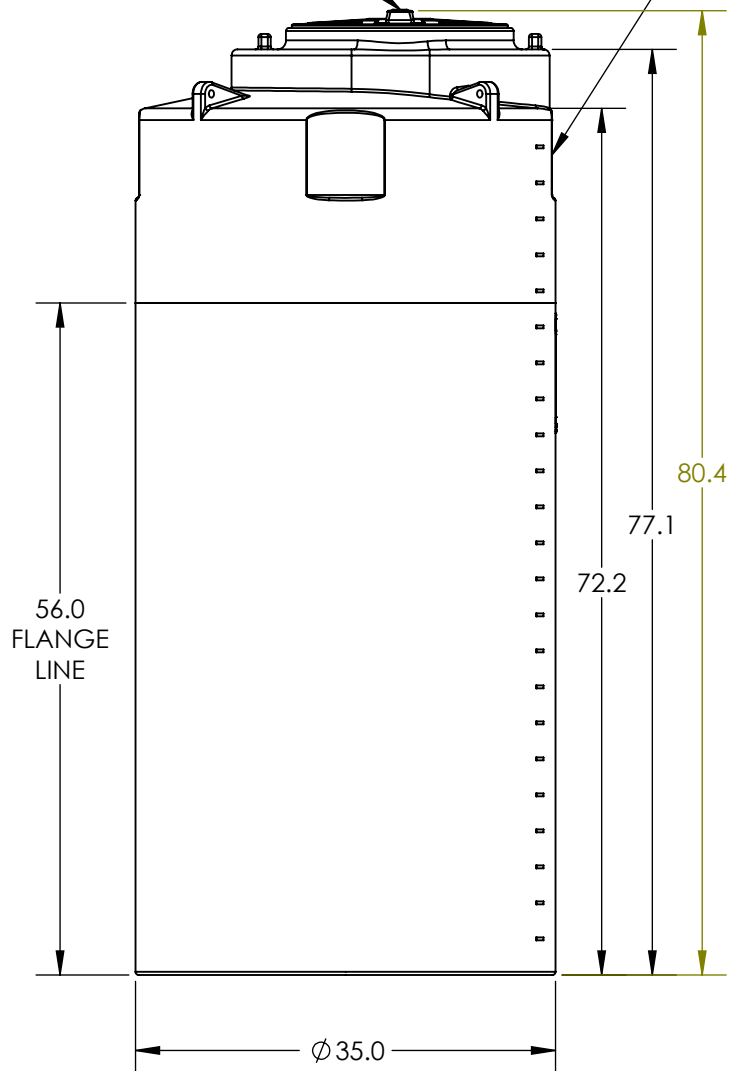


18" PE THREADED-VENTED  
MANWAY w/ 15" ACCESS

6.5" X 6.5" FITTING FLAT  
@ 0°, 90°, 180°, 270°



NOTE:  
1. GALLONAGE MARKS MAY BE REMOVED FOR FITTING PLACEMENT AS NEEDED.

**\*ALL EXTERNAL PIPING MUST BE INDEPENDENTLY SUPPORTED.**  
**\*ONLY BASE FITTINGS TO BE LEFT INSTALLED AT TIME OF SHIPMENT PER SII PROCEDURE.**  
**\*Consult Snyder's Guidelines for Use and Installation prior to delivery.**  
 Available on-line at <http://www.snyderindustriestanks.com/Technical>

**ALL DIMENSIONS ARE IN INCHES, NOMINAL, & SUBJECT TO CHANGE WITHOUT NOTICE.**  
**ALL DIMENSIONS ON ROTATIONAL MOLDED PARTS ARE SUBJECT TO A ± 3% TOLERANCE.**

DO NOT SCALE	DRAWN BY	DATE		TITLE:	REVISION
Released	ET3	07/29/2013		ASM TK 300VDT X 35	A
© SNYDER INDUSTRIES INC., 2014			4700 Fremont Street Lincoln, NE 68504 (402) 467-5221 www.snyder.net.com	PART NO.	ENG. ID.
<small>ALL DIMENSIONS, DESIGNS, AND INFORMATION ON THIS PRINT MUST BE CONSIDERED PROPRIETARY TO SNYDER INDUSTRIES, INC. AND MAY NOT BE USED, COPIED, OR DISTRIBUTED WITHOUT WRITTEN PERMISSION OF AN OFFICER (OR HIS AGENT) OF THE FIRM.</small>				163000N__01	D001088
				SHEET	1 OF 1