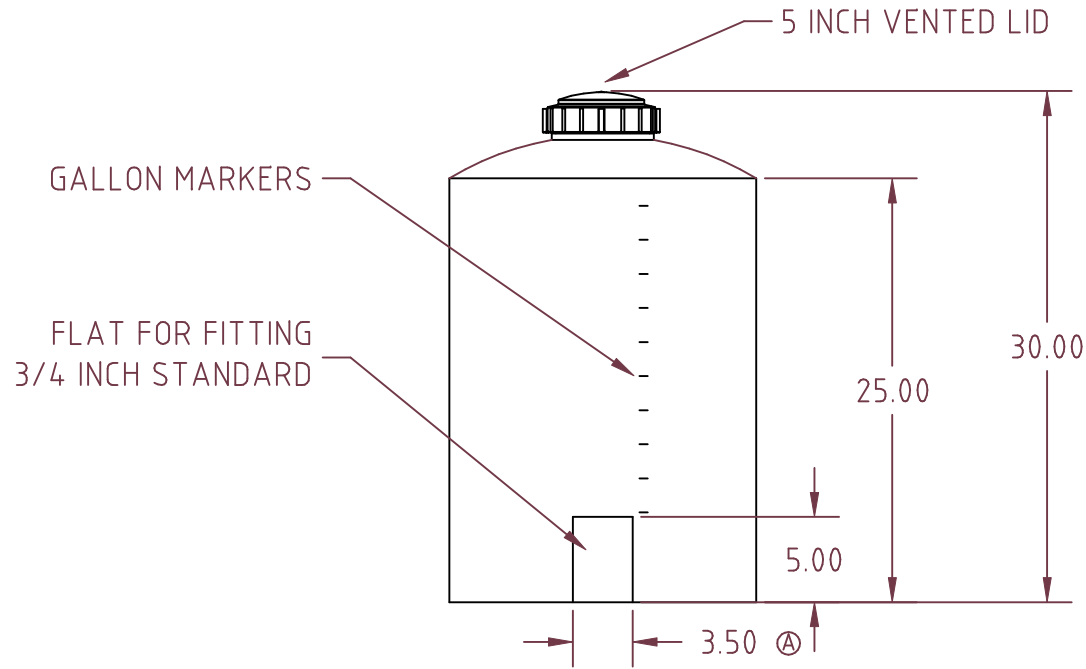
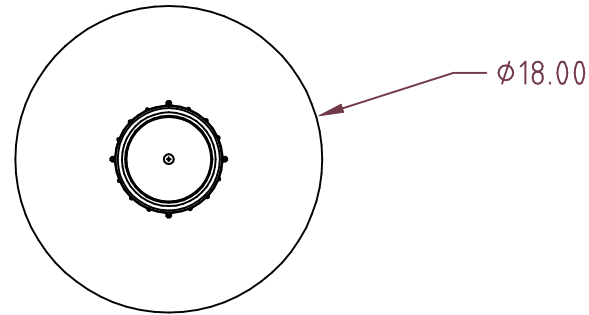

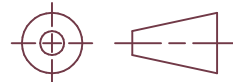


Copyright. All information furnished within this document, electronic file or design correspondence is the property of Den Hartog industries, Inc. and shall not be used, disclosed to others or copied without the expressed written consent of Den Hartog Industries, Inc.



				DRAWN / DATE	MATERIAL / SHOT WEIGHT	 <b>Ace Roto-Mold</b> A DIVISION OF DEN HARTOG INDUSTRIES, INC. 4010 HOSPERS DRIVE S., BOX 425, HOSPERS, IOWA 51238
			DHJ	1/15/04	HDPE / 12 LBS.	
A	FLAT DIMENSIONS ADDED CCN 1701	ADH 8/8/08		APPRD. / DATE		CLIENT / DESCRIPTION
REV	DESCRIPTION	DATE APPRD.	ADH	11/19/07		25 GALLON VERTICAL TANK
ALL DIMENSIONS ARE IN DECIMAL INCHES TOLERANCES UNLESS OTHERWISE SPECIFIED ± 1% @ 68° F			THIRD ANGLE PROJECTION ANSI 14.5M 		NOTES: 1. NOM. WALL .180 2. BLACK, WHITE, OR YELLOW COLOR	SCALE NONE
						PART NO. VT0025-18