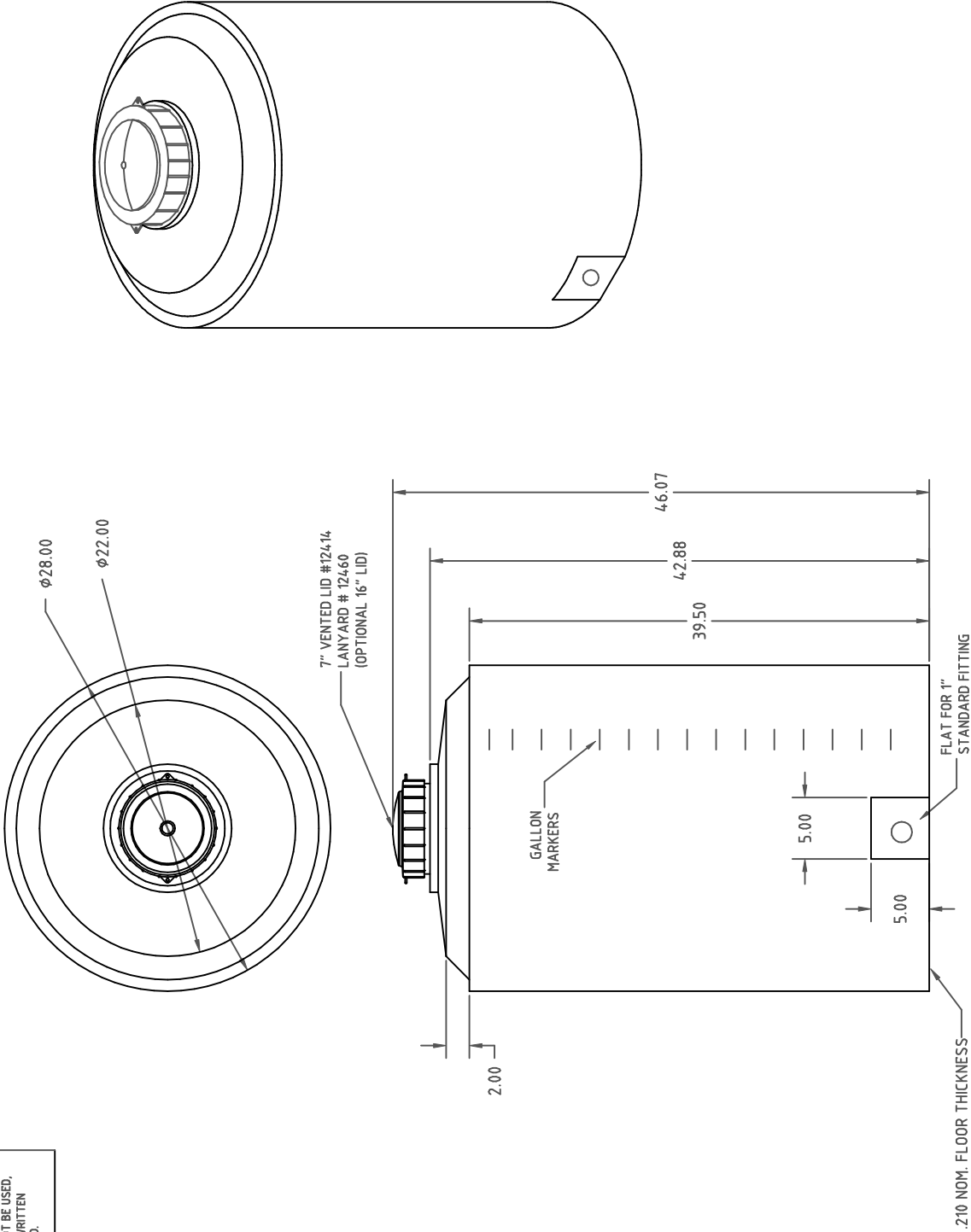


PROPRIETARY DATA

PROPERTY OF ACE ROTO-MOLD MFG., INC. INFORMATION FURNISHED HEREIN IS THE PROPERTY OF ACE ROTO-MOLD MFG., INC. AND SHALL NOT BE USED, DISCLOSED TO OTHERS, OR COPIED WITHOUT THE EXPRESSED WRITTEN CONSENT OF ACE ROTO-MOLD MFG., INC. ALL RIGHTS RESERVED.

VT0100-28

B



**Ace Roto-Mold**  
 A DIVISION OF DEN HARTOG INDUSTRIES, INC.  
 4010 HOSPERS DRIVE S., BOX 425, HOSPERS, IOWA 51238

**CLIENT / DESCRIPTION**  
 100 GALLON VERTICAL TANK

**MATERIAL / SHOT WEIGHT**  
 POLYETHYLENE  
 36 LBS.

**DRAWN / DATE**  
 DHJ 4/25/03  
**APPRD. / DATE**  
 GWC 6/29/07

**NOTES:**  
 1. BLACK, WHITE OR YELLOW COLOR  
 2. NOM. WALL .215

**THIRD ANGLE PROJECTION**  
 ANSI 14.5M

**ALL DIMENSIONS ARE IN DECIMAL INCHES**  
**TOLERANCES UNLESS OTHERWISE SPECIFIED**  
 ± 1% @ 68° F

**SCALE**  
 NONE

**PART NO.**  
 VT0100-28