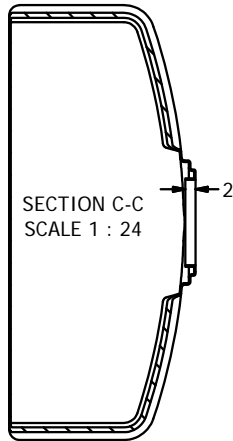
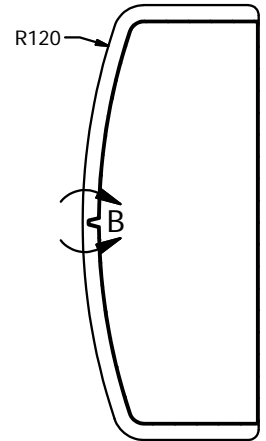
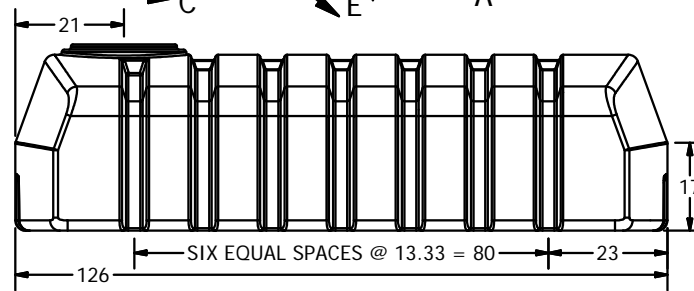
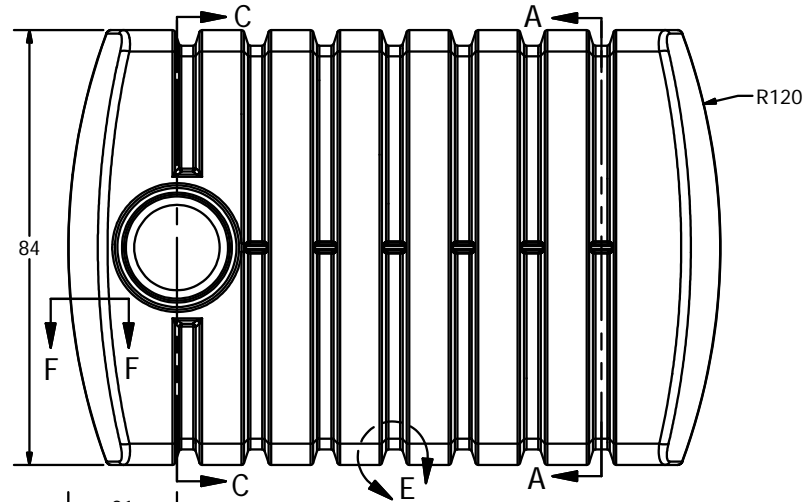


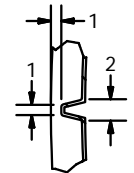
DETAIL E
SCALE 1 / 12



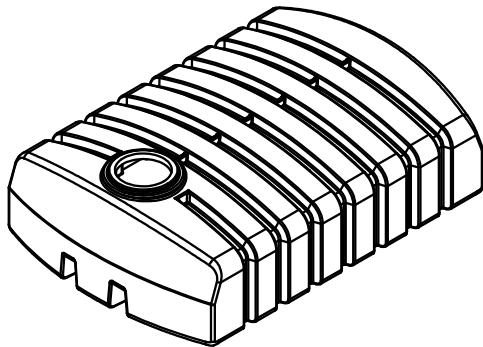
SECTION F-F
SCALE 1 : 24



SECTION A-A
SCALE 1 : 24



DETAIL B
SCALE 1 / 12



FOB ST BONIFACIUS MN AND LANCSTER OH

DRAWN Jerry Paulson	3/23/2009
CHECKED	
QA	
MFG	
APPROVED	



NORWESCO, INC., ST. BONIFACIUS, MN

TITLE
1275 GALLON LOW PROFILE WATER TANK

SIZE B	DWG NO	REV
-----------	--------	-----